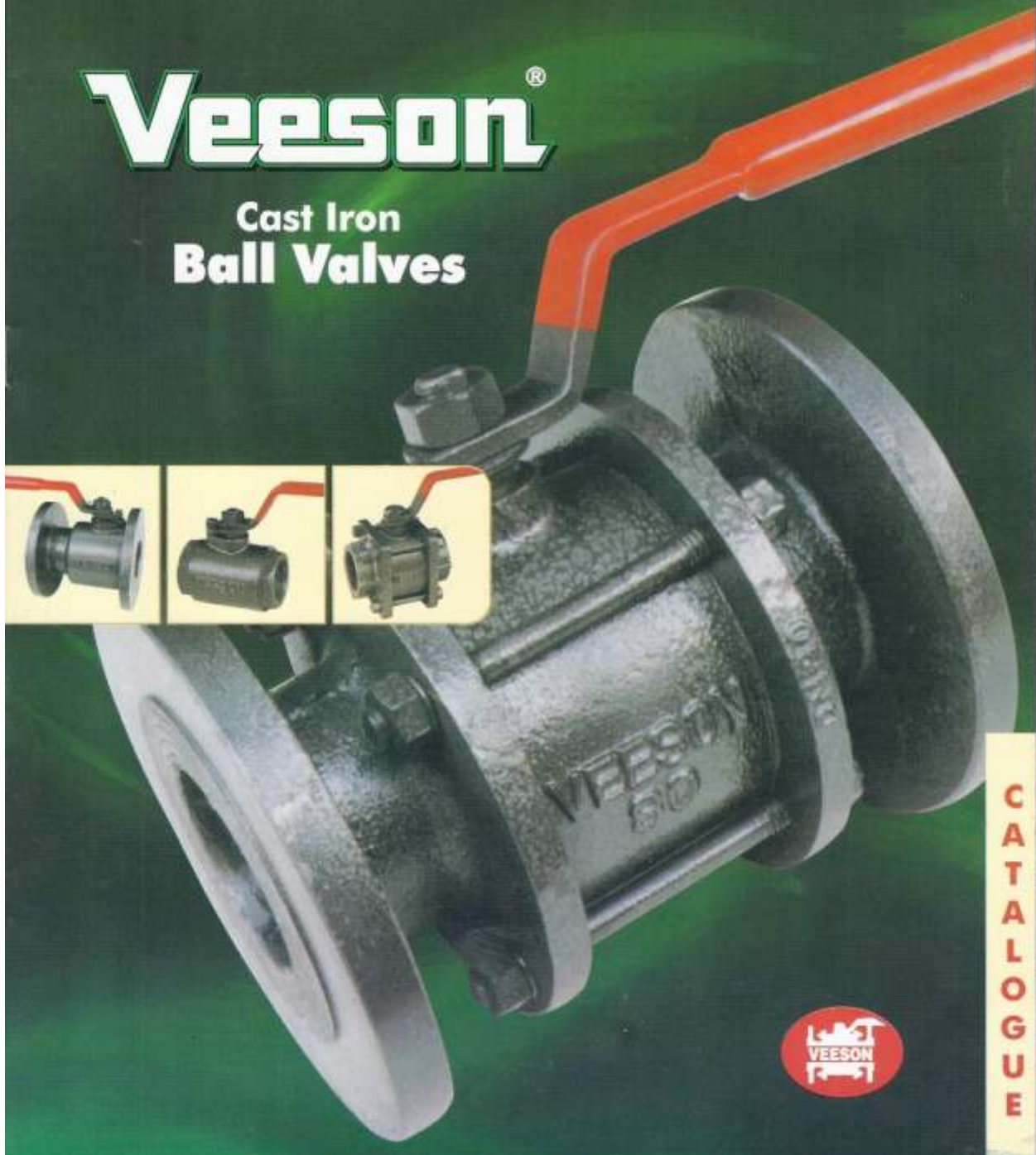


EXPERIENCE AND TECHNOLOGY SUPPORT OUR PRODUCTS

Veeson®

Cast Iron Ball Valves



C
A
T
A
L
O
G
U
E

Introduction

- Experience** : VEESON Valve Pvt. Ltd. is an organization being managed by a group of persons having more than three decades of experience in Valve Industry.
- Technology** : VEESON Technology is as per International Standards. Strict quality control is Hall - Mark of all VEESON products.
- Products Range** : VEESON Cast Iron Ball Valve Screwed Ends and Flanged Ends are available in size 15 mm to 200 mm.
- Design** : The VEESON Ball Valves are designed as per IS : 9890 and they meet each and every requirement as stipulated. Strict Quality Control and inspection is carried out at all stages of manufacturing right from the incoming materials to the final despatch.
- Marking** : Following marking is done on each Valve.
(1) VEESON (2) Nominal Size in mm
(3) Max. Working Temp. (4) ISI Marked
- Quality Control** : At every stage of production a team of qualified Engineers carries out strict inspection of each valve. To satisfy the exact demand of our clients the Valves are inspected from initial design to the final finished products.
- Testing** : We at VEESON are well equipped with our own testing facilities for Chemical and physical properties of raw materials, Air testing and Hydro testing, Besides this a team of qualified and experienced engineers are working to meet the various functions of engineering and guides the users regarding correct selection and application of the Valve.
- Note** : The data given in this catalogue is offered in good faith and the matter incorporated is not intended to form apart of any contract VEESON also reserves the right to carry out any modification to the products shown.



VEESON VALVES EXPERIENCE AND TECHNOLOGY SUPPORT OUR PRODUCTS **VALVES**



CAST IRON BALL VALVE

FOR GENERAL PURPOSE
SCREWED FEMALE ENDS. CL-125
CONFORMING TO IS : 9890-1981.

Specification :

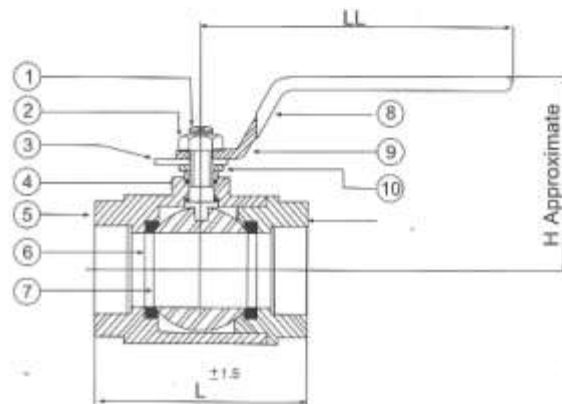
* VEESON * Cast Iron Ball Valve
Single piece design, Full bore,
Blow out proof stem, Floating Ball,
Screwed Female ends. (B.S.P.)

Testing :

Body Test Pressure : 500 Lbs. Hyd.
Seat Test Pressure : 300 Lbs. Hyd.
Max. working Temp : 200° C

Certification :

Our works Test Certificate shall be
furnished if required



DIMENSIONS IN MM

NOM. SIZE	15	20	25	32	40	50	65	80	100
L (±1.5)	78	86	95	115	117	138	162	184	220
LL	135	155	155	165	190	190	285	285	325
H (APP.)	60	66	68	105	105	120	127	140	152

P. No.	DESCRIPTION	No. OFF	MATERIALS	
1	STEM	1	S.S. (18%Cr)	AISI-304
2	LEVER	1	M.S	IS :1367
3	STOPPER	1	M.S	IS : 226
4	GLAND PACKING	2	TEFLON	PTFE
5	BODY	1	C.I.	IS : 210 Gr. FG 200
6	BODY SEAT RING/ SEAL	2	TEFLON	PTFE
7	BALL	1	S.S. (18%Cr)	AISI-304
8	LEVER SLEEVE	1	PVC	
9	LEVER	1	M.S	IS : 226
10	GLAND NUT	1	M.S	IS :1367
11	BODY CONNECTOR	1	C.I.	IS : 210 Gr. FG 200

VEESON

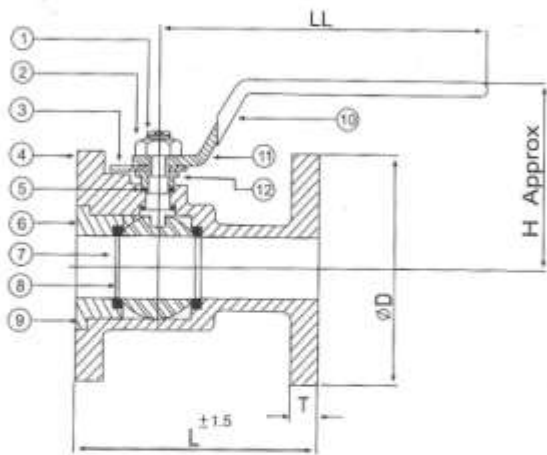
EXPERIENCE AND TECHNOLOGY SUPPORT OUR PRODUCTS

VALVES



CAST IRON BALL VALVE

FOR GENERAL PURPOSE
SINGLE PIECES DESIGN
FLANGED END.



Specification :

" VEESON " Cast Iron Ball Valve
Single piece design, Full bore,
Blow out proof stem, Floating Ball,
Flanged Ends.
As Per BS : 10 Table D / E / F

Testing :

Body Test Pressure : 500 Lbs. Hyd.
Seat Test Pressure : 300 Lbs. Hyd.
Max. working Temp : 200° C

Certification :

Our works Test Certificate shall be
Furnished required

P. No.	DESCRIPTION	No. OFF	MATERIALS
1	STEM	1	S.S. (18%Cr) AISI-304
2	LEVER NUT	1	M.S IS :1367
3	STOPPER	1	M.S IS : 226
4	BODY	1	C.I. IS : 210 Gr. FG 200
5	GLAND PACKING	2	TEFLON PTFE
6	BODY CONNECTOR	1	C.I. IS : 210 Gr. FG 200
7	BODY SEAT RING/ SEAL	2	TEFLON PTFE
8	BALL	1	S.S. (18%Cr) AISI-304
9	PACKING	1	TEFLON PTFE
10	LEVER SLEEVE	1	PVC
11	LEVER	1	M.S IS : 226
12	GLAND NUT	1	M.S IS :1367

DIMENSIONS IN MM

NOM. SIZE	15	20	25	32	40	50	65	80	100
L (±1.5)	85	95	110	115	146	150	180	199	225
D	95	105	120	135	140	165	184	203	229
LL	135	155	155	165	190	190	285	285	325
H (APP.)	60	66	68	105	105	120	127	140	152

VEESON

EXPERIENCE AND TECHNOLOGY SUPPORT OUR PRODUCTS

ALWAYS



CAST IRON BALL VALVE

FOR GENERAL PURPOSE
THREE PIECE DESIGN
FLANGED ENDS, CL-125
CONFORMING TO IS : 9890-1981.

Specification :

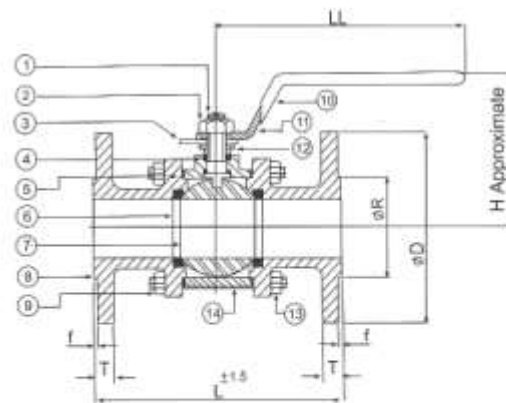
" VEESON " Cast Iron Ball Valve
Three piece design, Full bore,
Blow out proof stem, Floating Ball,
Flanged Ends.
As Per BS : 10 Table D / E / F

Testing :

Body Test Pressure : 500 Lbs. Hyd.
Seat Test Pressure : 300 Lbs. Hyd.
Max. working Temp : 200° C

Certification :

Our works Test Certificate shall be
Furnished if required



DIMENSIONS IN MM

WOM. SIZE	15	20	25	32	40	50	65	80	100	125	150	200
L (±1.5)	130	130	140	165	165	203	222	241	305	268	394	457
LL	135	155	155	165	190	190	285	285	325	610	610	914
H(App)	60	66	68	105	105	120	127	140	152	220	224	660
D (±1.5)	89	98	108	117	127	152	178	190	228	249	305	343
R	35	43	51	63	73	92	105	127	157	196	216	273
T(Min)	14.3	15.9	17.5	19.1	20.8	22.2	25.4	28.6	31.8	36.5	36.5	41.3
F	2	2	2	2	3	3	3	3	3	3	3	3

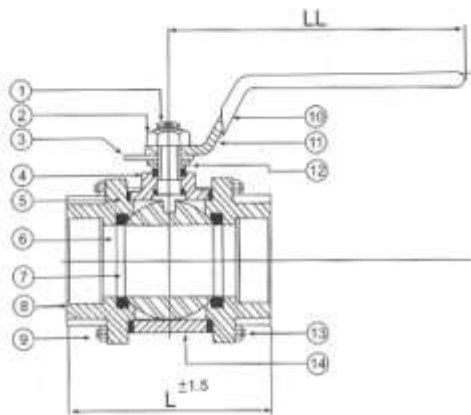
P. No.	DESCRIPTION	No. OFF	MATERIALS	
1	STEM	1	SS (18% Cr)	AISI-304
2	LEVER NUT	1	M.S	IS :1367
3	STOPPER	2	M.S	IS : 226
4	GLAND PACKING	2	TEFLON	PTFE
5	BODY GASKET	1	Asbestos	
6	BODY SEAT RING/ SEAL	1	TEFLON	PTFE
7	BALL	2	SS (18% Cr)	AISI-304
8	BODY CONNECTOR	1	C.I.	IS : 210 Gr. FG 200
9	STUD & NUTS	1	M.S	IS :1367
10	LEVER SLEEVE	1	P.V.C.	
11	LEVER	1	M.S	IS : 226
12	GLAND NUT	1	M.S	IS :1367
13	STUD & NUTS	4 x 4	M.S	IS :1367
14	BODY	1	C.I.	IS : 210 Gr. FG 200

EXPERIENCE AND TECHNOLOGY SUPPORT OUR PRODUCTS



CAST IRON BALL VALVE

FOR GENERAL PURPOSE
THREE PIECES DESIGN
SCREWED FEMALE ENDS.



Specification :

* VEESON * Cast Iron Ball Valve
Three piece design, Full bore,
Blow out proof stem, Floating Ball,
Screwed Female ends. (B.S.P.)

Testing :

Body Test Pressure : 500 Lbs. Hyd.
Seat Test Pressure : 300 Lbs. Hyd.
Max. working Temp : 200° C

Certification :

Our works Test Certificate shall be
furnished if required

P. No.	DESCRIPTION	No. OFF	MATERIALS	
1	STEM	1	SS (18% Cr)	AISI-304
2	LEVER NUT	1	M.S	IS :1367
3	STOPPER	2	M.S	IS : 226
4	GLAND PACKING	2	TEFLON	PTFE
5	BODY GASKET	1	Asbestos	
6	BODY SEAT RING/ SEAL	1	TEFLON	PTFE
7	BALL	2	SS (18% Cr)	AISI-304
8	BODY CONNECTOR	1	C.I.	IS : 210 Gr. FG 200
9	STUD & NUTS	1	M.S	IS :1367
10	LEVER SLEEVE	1	P.V.C.	
11	LEVER	1	M.S	IS : 226
12	GLAND NUT	1	M.S	IS :1367
13	STUD & NUTS	4 x 4	M.S	IS :1367
14	BODY	1	C.I.	IS : 210 Gr. FG 200

DIMENSIONS IN MM

NOM. SIZE	15	20	25	32	40	50	65	80	100
L (±1.5)	80	92	104	118	132	134	155	174	236
LL	135	155	155	165	190	190	285	285	325
H (App)	60	66	68	105	105	120	127	140	152

VEESON

EXPERIENCE AND TECHNOLOGY SUPPORT OUR PRODUCTS

VALVES

Features

VEESON Ball Valve offer top performance and economy plus an unbeatable combination of features such as :

1. Mirror finish smooth Ball.
2. Full bore (Excellent Flow)
3. Low Torque.
4. Trouble free operation.
5. Quarter turn shutt off.
6. Blow out proof stem (Non rising)
7. Gland packing replacement under pressure.
8. No lubrication and maintenance required.
9. Suitable for temperature upto 200° C and pressure up to 300-500 Psig.
10. High Tensile Bolts and Nuts are used to with stand external and internal loads.
11. Female end connection & screwed to BSP threads.
12. Total reliability.
13. Long life cycle.
14. 100% factory tested.
15. Suitable for oil, Water, Air, Gas, Steam and chemicals etc.
16. Excellent Value for Money.

Important Matchless Features of VEESON Three Piece Ball Valve.

1. **Quick Installation :**
There piece valve itself acts as a union. Valves can be permanently welded into piping systems, without interfering with future requirement or repairs.
2. **Leak Free, Bubble, Tight operation :**
Pressure seated stem arrangement uses line fluid flow to achieve maximum sealing action. As the pressure increases, the seal becomes tighter. Stem is blow out proof and provides positive flow indication.
3. **In Line change of parts :**
The parts which might require servicing can be removed from the valve without disturbing the end connections.



VEESON EXPERIENCE AND TECHNOLOGY SUPPORT OUR PRODUCTS VALVES