

CATALOGUE



AN ISO 9002 COMPANY

**G.M. S.S. BRASS &
BRONZE VALVES & COCKS**



DURABILITY • RELIABILITY • PERFORMANCE

About DRP family

DRP is a family-professional organisation. A family atmosphere prevails that brings out the best potential of every participant. The family includes, all over the country a network of dealers, who are, indeed, the eyes and ears and ambassadors of the organisation.

About DRP Aims

DRP aims to supply goods in quality matching the best in the market. Valves are a major & essential part of all plants small, medium or large. One faulty or leaking Valve on the pipe line can bring the plant to a stop. This fact is inculcated in the minds of 'DRP' s management, officers, technicians, engineers and workers. Strict quality control is, therefore, the watch-word. A brief account of the quality control systems, which starts from the raw material to the finished product is given below:-

Testing facilities

DRP is fully equipped with modern testing facilities to check physical/chemical properties of the material used. The laboratories are manned by qualified and experienced engineers and chemists.

Testing is done at various stages of production, viz.

- ★ Chemical testing of raw materials.
- ★ Testing of sand and moulds before pouring the molten metal.
- ★ Testing of chemical composition of molten metal before pouring.
- ★ Testing of the integral test bar.
- ★ Testing of the surface after shot blasting.
- ★ Testing after machining.
- ★ Testing of pressure after assembly.
- ★ Proper painting and packing.

The above process ensures that no Valve wanting in quality leaves the plant.



About DRP

From a humble beginning in 1976, M/s DRP Metal Works is, by the grace of God, a name to be reckoned with in the field of a wide range of Stainless Steel, Gun Metal, Brass and Bronze Valves & Cocks, Steam Valves & Boiler Mountings. The rapid stride has been possible due to various reasons like:-

- ★ DRP's honesty, sincerity & integrity in its dealings.
- ★ DRP's solemn faith in producing quality products.
- ★ DRP's instant response in matters of after-sales Service.
- ★ DRP's customer's continuous and unstinted support and patronage to its products.

About End Use of DRP products.

A wide range of DRP products with ISI mark (can be made to customers specification also) cater to the need of various industries like:-

- ★ Cement Plants.
- ★ Sugar Mills.
- ★ Textile Plants.
- ★ Paper & Jute Plants.
- ★ Power Plants.
- ★ Fertilizer Plants.
- ★ Steel Plants.
- ★ Water Works.
- ★ Boilers.
- ★ Indeed at any place where water, steam or any liquid flows in pipes.

Assurance of Quality

The quality is ensured by various methods by providing latest quality control measures by providing working drawings and gauges at all levels of the workmen. This is done to GUARANTEE our products for trouble free service for

- ★ 12 months from the date of COMMISSIONING
- or
- ★ 18 months from the date of purchase, whichever is earlier.



INDUSTRIAL VALVES

S.NO.	CODE	ITEM
1.	GI	DRP G.M. GATE VALVE ISI SCREWED FEMALE ENDS CLASS-1
2.	GF	DRP G.M. GATE VALVE ISI FLANGED ENDS CLASS-1
3.	GT	DRP G.M. GATE VALVE ISI SCREWED FEMALE ENDS CLASS-2
4.	WI	DRP G.M. WHEEL VALVE ISI CLASS-1 SCREWED FEMALE ENDS
5.	VI	DRP G.M. VERTICAL CHECK VALVE ISI SCREWED FEMALE ENDS CLASS-1
6.	HI	DRP G.M. HORIZONTAL CHECK VALVE ISI SCREWED FEMALE ENDS CLASS-1
7.	FI	DRP G.M. FERRULE COCK ISI SCREWED FEMALE ENDS CLASS-1
8.	GS	DRP BRONZE GATE VALVE DOUBLE SEAT SCREWED FEMALE ENDS
9.	GP	DRP G.M. GATE VALVE PEGULAR TYPE SCREWED FEMALE ENDS
10.	GH	DRP G.M. GATE VALVE HATTERSLAY TYPE SCREWED FEMALE ENDS
11.	W4	DRP G.M. WHEEL VALVE NO. 4 SCREWED FEMALE ENDS
12.	W5	DRP G.M. WHEEL VALVE NO. 5 SCREWED FEMALE ENDS
13.	H4	DRP G.M. HORIZONTAL CHECK VALVE NO. 4 SCREWED FEMALE ENDS
14.	H5	DRP G.M. HORIZONTAL CHECK VALVE NO. 5 SCREWED FEMALE ENDS
15.	VM	DRP G.M. VERTICAL CHECK VALVE MEDIUM SCREWED FEMALE ENDS
16.	VS	DRP G.M. VERTICAL CHECK VALVE STANDARD SCREWED FEMALE ENDS
17.	MC	DRP G.M. MULTI CHECK VALVE SCREWED FEMALE ENDS
18.	FS	DRP G.M. FERRULE COCK STANDARD SCREWED MALE ENDS
19.	FM	DRP G.M. FERRULE COCK MEDIUM SCREWED MALE ENDS
20.	FV	DRP G.M. FOOT VALVE SCREWED FEMALE ENDS
21.	BV	DRP BRONZE BALL VALVE SCREWED FEMALE ENDS
22.	BB	D&R BRASS BALL VALVE SCREWED FEMALE ENDS
23.	BVF	DRP BRONZE BALL VALVE FLANGED ENDS
24.	AV	DRP G.M. RIGHT ANGLE VALVE SCREWED FEMALE ENDS
25.	IC	DRP INVESTMENT CASTING BALL VALVE SCREWED FEMALE ENDS
26.	BS	DRP BRONZE UNION BONNET NO.9 SCREWED FEMALE ENDS
27.	BF	DRP BRONZE UNION BONNET NO. 9 FLANGED ENDS
28.	BHS	DRP BRONZE HORIZONTAL CHECK VALVE NO. 9 SCREWED FEMALE ENDS
29.	BHF	DRP BRONZE HORIZONTAL CHECK VALVE NO. 9 FLANGED ENDS
30.	SSV	DRP BRONZE GLOBE STEAM STOP VALVE SCREWED FEMALE ENDS
31.	YS	DRP BRONZE "Y" TYPE STRAINER SCREWED FEMALE ENDS
32.	RV	DRP BRONZE SPRING RELIEF VALVE OPEN SCREWED MALE ENDS
33.	ARV	DRP BRONZE SPRING RELIEF VALVE ANGLE TYPE SCREWED FEMALE ENDS
34.	ST	DRP BRONZE STEAM TRAP SCREWED FEMALE ENDS
35.	SG	DRP BRONZE SIGHT GLASS SCREWED FEMALE ENDS
36.	WLG	DRP BRONZE GLAND PACKED WATER LEVEL GAUGE COCK SCREWED MALE ENDS
37.	WLF	DRP BRONZE GLAND PACKED WATER LEVEL GAUGE COCK FLANGED ENDS
38.	WSG	DRP BRONZE ABESTOS PACKED WATER LEVEL GAUGE COCK SCREWED FEMALE ENDS
39.	WSF	DRP BRONZE ABESTOS PACKED WATER LEVEL GAUGE COCK FLANGED ENDS
40.	ISI	DRP S.S. THERMODYNAMIC STEAM TRAP SCREWED FEMALE ENDS
41.	ICF	DRP INVESTMENT CASTING BALL VALVE FLANGED ENDS
42.	BFB	D&R BALL VALVE BRASS DIE CAST (TOPIC) SCREWED FEMALE ENDS



BS : 10 TABLE 'F'

BRONZE / GUN METAL VALVES

Nominal Size	Flange Dia	Flange Thickness	PCD	No. of Holes	Hole Dia
$\frac{1}{2}$	$3\frac{3}{4}$	$\frac{5}{16}$	$2\frac{5}{8}$	4	$\frac{9}{16}$
$\frac{3}{4}$	4	$\frac{5}{16}$	$2\frac{7}{8}$	4	$\frac{9}{16}$
1	$4\frac{3}{4}$	$\frac{3}{8}$	$3\frac{7}{16}$	4	$\frac{11}{16}$
$1\frac{1}{4}$	$5\frac{1}{4}$	$\frac{3}{8}$	$3\frac{7}{8}$	4	$\frac{11}{16}$
$1\frac{1}{2}$	$5\frac{1}{2}$	$\frac{7}{16}$	$4\frac{1}{8}$	4	$\frac{11}{16}$
2	$6\frac{1}{2}$	$\frac{7}{16}$	5	4	$\frac{11}{16}$
$2\frac{1}{2}$	$7\frac{1}{4}$	$\frac{1}{2}$	$5\frac{3}{4}$	8	$\frac{11}{16}$
3	8	$\frac{9}{16}$	$6\frac{1}{2}$	8	$\frac{11}{16}$
4	9	$\frac{11}{16}$	$7\frac{1}{2}$	8	$\frac{11}{16}$
5	11	$\frac{3}{4}$	$9\frac{1}{4}$	8	$\frac{3}{4}$
6	12	$\frac{7}{8}$	$10\frac{1}{4}$	12	$\frac{3}{4}$

BS : 10 TABLE 'H'

ALL DIMENSIONS ARE IN INCHES

Nominal Size	Flange Dia	Flange Thickness	PCD	No. of Holes	Hole Dia
$\frac{1}{2}$	$4\frac{1}{2}$	$\frac{3}{8}$	$3\frac{1}{4}$	4	$\frac{5}{8}$
$\frac{3}{4}$	$4\frac{1}{2}$	$\frac{3}{8}$	$3\frac{1}{4}$	4	$\frac{5}{8}$
1	$4\frac{3}{4}$	$\frac{7}{16}$	$3\frac{7}{16}$	4	$\frac{5}{8}$
$1\frac{1}{4}$	$5\frac{1}{4}$	$\frac{7}{16}$	$3\frac{7}{8}$	4	$\frac{5}{8}$
$1\frac{1}{2}$	$5\frac{1}{2}$	$\frac{1}{2}$	$4\frac{1}{8}$	4	$\frac{5}{8}$
2	$6\frac{1}{2}$	$\frac{1}{2}$	5	4	$\frac{5}{8}$
$2\frac{1}{2}$	$7\frac{1}{4}$	$\frac{9}{16}$	$5\frac{3}{4}$	8	$\frac{5}{8}$
3	8	$\frac{5}{8}$	$6\frac{1}{2}$	8	$\frac{5}{8}$
4	9	$\frac{3}{4}$	$7\frac{1}{2}$	8	$\frac{5}{8}$
5	11	$\frac{7}{8}$	$9\frac{1}{4}$	8	$\frac{3}{4}$
6	12	$\frac{7}{8}$	$10\frac{1}{4}$	12	$\frac{3}{4}$



FLANGE DIMENSIONS
BRONZE / GUN METAL VALVES

Table is 778-1984

Nominal Size mm	Flange Dia mm	Flange Thickness mm	PCD mm	No. of Holes mm	Hole Dia mm
15	95±1	6 (+1.5/0)	65	4	14
20	105±1	6 (+1.5/0)	75	4	14
25	115±1	8 (+1.5/0)	85	4	14
32	140±1	8 (+1.5/0)	100	4	18
40	150±1	9 (± 3/0)	110	4	18
50	165±1	11 (± 3/0)	125	4	18
65	185±1	13 (± 3/0)	145	4	18
80	200±1	13 (± 3/0)	160	8	18
100	220±1.5	16 (± 3/0)	180	8	18

BS : 10 TABLE 'D'

ALL DIMENSIONS ARE IN INCHES

Nominal Size	Flange Dia	Flange Thickness	PCD	No. of Holes	Hole Dia
1/2	3 3/4	1/4	2 5/8	4	9/16
3/4	4	1/4	2 7/8	4	9/16
1	4 1/2	5/16	3 1/4	4	9/16
1 1/4	4 3/4	5/16	3 7/16	4	9/16
1 1/2	5 1/4	3/8	3 7/8	4	9/16
2	6	3/8	4 1/2	4	11/16
2 1/2	6 1/2	7/16	5	4	11/16
3	7 1/4	1/2	5 3/4	4	11/16
4	8 1/2	5/8	7	4	11/16
5	10	11/16	8 1/2	8	3/4
6	11	11/16	9 1/4	8	3/4



MATERIALS USED IN VALVES

Name of the Materials	Spcification	Code No.
Aluminium Sheet	IS : 2676	ALS
Aluminium Casting		ALC
Asbestos Yarn	IS : 4687	ASB
Brass		BR
Brass Sheet	IS : 410	BS
Bronze IBR Grade B	IBR 282 (a) (IV) Grade B	BRONZE
Cast Brass	IS : 292 Grade B	CB
Cast Iron	IS : 210 Grade FG 200/IBR 86 to 93 GRade A	CI
Copper Sheet	IS : 3487	CU
Die Cast Brass	IS : 1264 Grade DCB 2	DCB
Forged High Tensile Brass	IS : 6912 Grade FLB	FLB
Forged Brass	IS : 3488	FB
Fusible Alloy	Lead-Tin Alloy	FA
Gunmetal/Leaded Tin Bronze	IS : 318 Grade LTB 2	GM/LTB2
High Tensile Brass	IS : 320 Grade HT1	HTB
Lead		PB
Spring Steel	IBR 307 to 314/EN44 or Equivalent	SPS
Stainless Steel Magetic	AISI 410	SS 410
Stainless Steel Non Magnetic	AISI 304	SS 304
Natural Rubber Washers	IS :4346	NR
Synthetic Rubber	IS : 638	SR
Teflon	Poly Tetra Fluoro Ethylene	PTFE
Toughended Glass	BS : 3463	TGL



GUN METAL GATE VALVE NON-RISING STEM SCREWED IS : 778 CLASS-1, ISI MARKED



SPECIFICATION :

'DRP' Gun Metal Gate Valve, Screwed in bonnet, Inside Screw, non-rising stem, Integral seats, Screwed female ends (BSP) to IS: 554-1985, Handwheel operated conforming to IS : 778 - 1984 Class-1, Valves are blue painted.

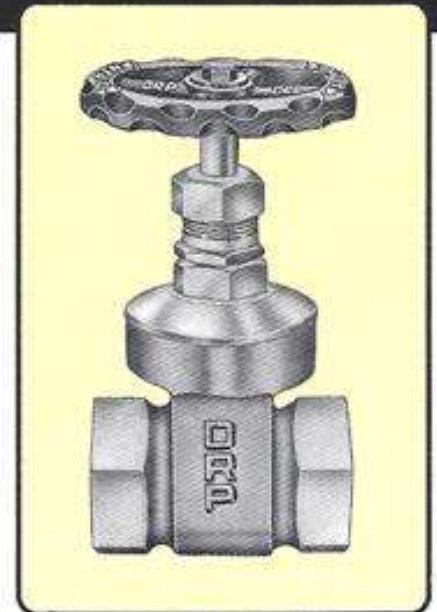
TESTING :

Testing of Valves is done as per specified under clause-9 of IS : 778-1984. The hydraulic Test pressures are indicated below :-

Body Test Pressure = 1.5 MPa Hyd.
Seat & Backseat Test Pressure = 1.0 MPa Hyd.

CERTIFICATION :

All Valves are supplied duly ISI Marked. Our Works Test Certificate shall be furnished if required.

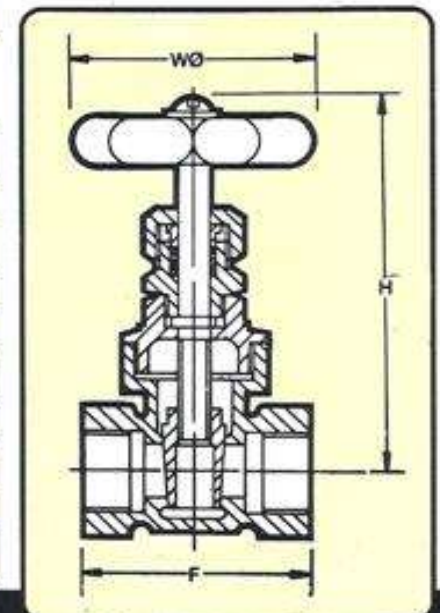


MATERIALS

Components	Material	Material Code
Body, Bonnet, Wedge Stuffing Box, Gland & Gland Nut.	Gun Metal / Leaded Tin Bronze	GM/LTB 2
Spindle	Forged Brass	FB
Handwheel	Cast Iron	CI
Gland Packing	Asbestos	ASB
Washer & Screw for Handwheel	Mild Steel	MS

DIMENSIONS IN MM

Nominal Size	F	H	W
15	60	98	61
20	60	114	65
25	70	121	75
32	80	134	82
40	90	156	92
50	100	177	99
65	105	222	110
80	125	245	134
100	160	298	164



ITEM CODE GI

GUN METAL GATE VALVE NON-RISING STEM, FLANGED IS : 778 CLASS-1, ISI MARKED.



SPECIFICATION :

'DRP' Gun Metal Gate Valve, Screwed-in-bonnet, Inside Screw, non-rising stem, integral seats, Handwheel operated, Flanged ends, conforming to IS : 778-1984 Class-1, Valves are blue painted.

TESTING :

Testing of Valves is done as per specified under Clause: 9 of IS:778-1984. The Hydraulic Test Pressures are indicated below .

Body Test Pressure = 1.5 MPa. Hyd.
Seat & Backseat Test Pressure = 1.0 MPa. Hyd.

CERTIFICATION :

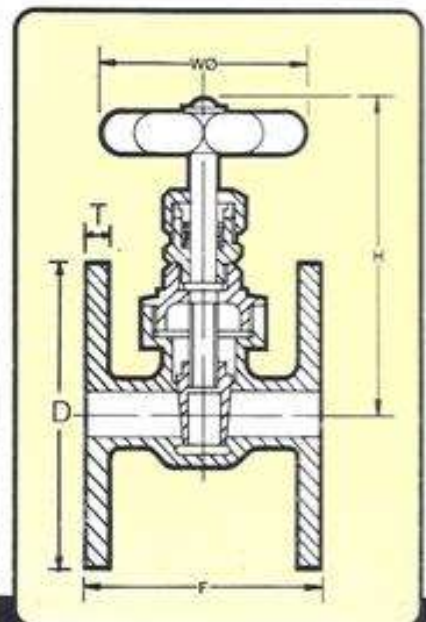
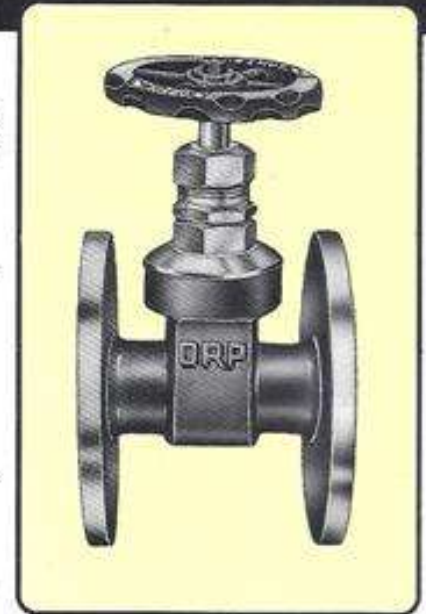
All Valves are supplied duly ISI Marked. Our Works test Certificate shall be furnished if required.

MATERIALS

Components	Material	Material Code
Body, Bonnet, Wedge Stuffing Box, Gland & Gland Nut.	Gun Metal / Leaded Tin Bronze	GM/LTB 2
Spindle	Forged Brass	FB
Handwheel	Cast Iron	CI
Gland Packing	Asbestos	ASB
Washer & Screw for Handwheel	Mild Steel	MS

DIMENSIONS IN MM

Nominal Size	F	H	W	D	T
15	72	98	61	95	6
20	76	114	65	105	6
25	90	121	75	115	8
32	100	134	82	140	8
40	110	156	92	150	9
50	120	177	99	165	11
65	140	222	110	185	13
80	150	245	134	200	13
100	190	298	164	220	16



ITEM CODE: GF

GUN METAL GATE VALVE NON-RISING STEM, SCREWED IS : 778 CLASS-2, ISI MARKED



SPECIFICATION :

'DRP' Gun Metal Gate Valve, Screwed in bonnet, Inside screw, non-rising stem, Integral seats, Screwed female ends (BSP) to IS: 554-1985, Handwheel operated conforming to IS:778-1984 Class-2, Valves are red painted.

TESTING :

Testing of Valves is done as specified under clause-9 of IS: 778-1984. The hydraulic Test Pressures are indicated below :-

Body Test Pressure = 2.4 MPa Hyd.
Seat & Backseat Test Pressure = 1.6 MPa Hyd.

CERTIFICATION :

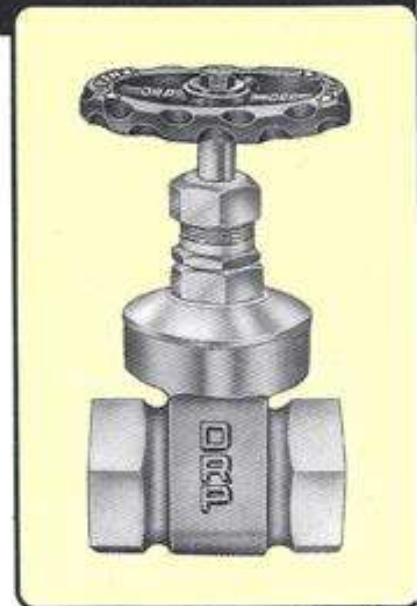
All Valves are supplied duly ISI Marked. Our Works Test Certificate shall be furnished if required.

MATERIALS

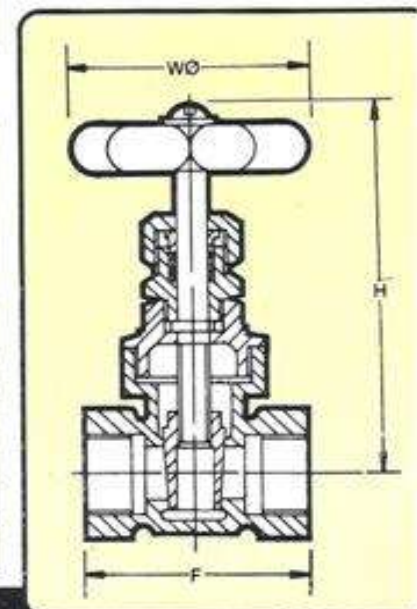
Components	Material	Material Code
Body, Bonnet, Wedge Stuffing Box, Gland, Gland Nut.	Gun Metal / Leaded Tin Bronze	GM/LTB 2
Spindle	Forged Brass	FB
Handwheel	Cast Iron	CI
Gland Packing	Asbestos	ASB
Washer & Screw for Handwheel	Mild Steel	MS

DIMENSIONS IN MM

Nominal Size	F	H	W
15	60	98	61
20	60	114	65
25	70	121	75
32	80	134	82
40	90	156	92
50	100	177	99
65	105	222	110
80	125	245	134
100	160	298	164



DRP



ITEM CODE: GT

GUN METAL GLOBE VALVE RISING STEM, SCREWED IS : 778 CLASS-1, ISI MARKED.



SPECIFICATION :

'DRP' Gun Metal Globe Valve, Screwed in Bonnet, Inside screw rising stem, integral seats, Handwheel operated, with back seat arrangement, screwed female ends (BSP) conforming to IS: 778-1984 Class-1, Valves are blue painted.

TESTING :

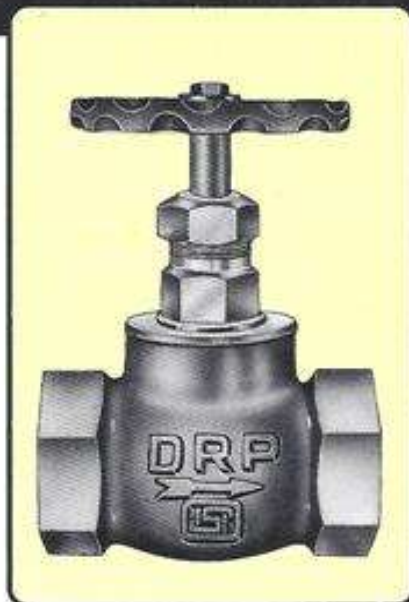
Testing of Valve is done as per specified under Clause-9 of IS : 778-1984. The Hydraulic test pressures are indicated below .

Body Test Pressure = 1.5 MPa.

Seat & Backseat Test Pressure = 1.0 MPa.

CERTIFICATION :

All Valves are supplied duly ISI Marked. Our Works Test Certificate shall be furnished if required.



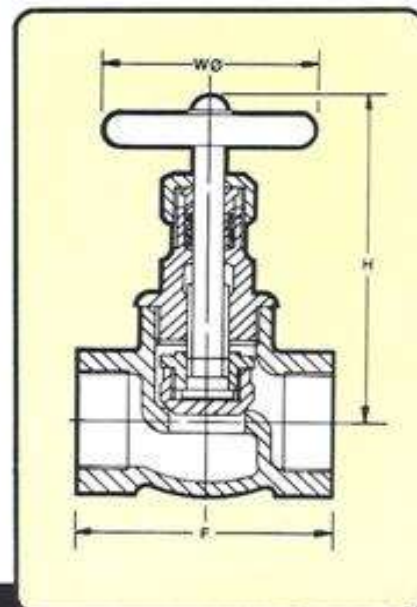
MATERIALS

Components	Material	Material Code
Body, Bonnet, & Valve Disc. Check Nut, Gland, Gland Nut	Gun Metal / Leaded Tin Bronze	GM/LTB 2
Spindle	Forged Brass	FB
Handwheel	Cast Iron	CI
Gland Packing	Asbestos	ASB
Washer & Screw for Handwheel	Mild Steel	MS



DIMENSIONS IN MM

Nominal Size	F	H	W
15	60	93	61
20	70	99	65
25	80	106	75
32	95	119	82
40	110	128	91
50	125	150	98
65	160	177	110
80	180	205	134
100	216	235	164



ITEM CODE: WI

GUN METAL VERTICAL CHECK VALVE SCREWED IS: 778 CLASS-1, ISI MARKED.



SPECIFICATION :

'DRP' Gun Metal Vertical Check Valve Integral Seat, Screwed Female ends (BSP) to IS: 778-1984 Class-1 Valves are blue painted.

TESTING :

Testing of Valves is done as specified under Clause-9 of IS:778-1984. The Hydraulic Test pressures are indicated below :

Body Test Pressure = 1.5 MPa.
Seat Test Pressure = 1.0 MPa.

CERTIFICATION :

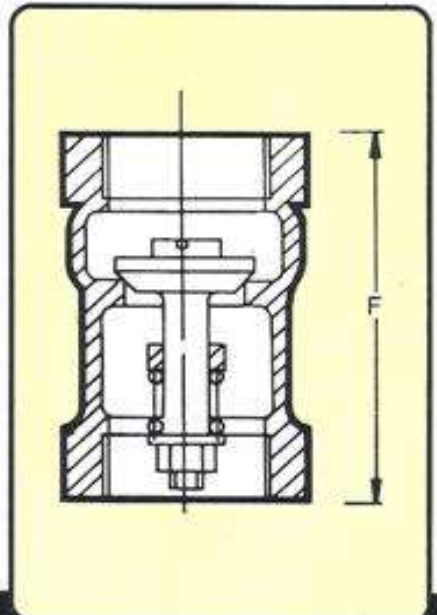
All Valves are supplied duly ISI Marked. Our Works Test Certificate shall be furnished if required.

MATERIALS

Components	Material	Material Code
Body & Valve Disc	Gun Metal / Leaded Tin Bronze	GM/LTB 2
Nut & Washer	Forged Brass	FB
Spring	Phosphor Bronze	PB

DIMENSIONS IN MM

Nominal Size	F
15	65
20	70
25	75
32	85
40	95
50	110
65	130
80	145
100	190



ITEM CODE: VI

GUN METAL HORIZONTAL LIFT CHECK VALVE SCREWED IS : 778 CLASS-1, ISI MARKED.



SPECIFICATION :

'DRP' Gun Metal Vertical Check Valve Integral Seats, Screwed Female ends (BSP) to IS: 778-1984 Class-1 Valves are blue painted.

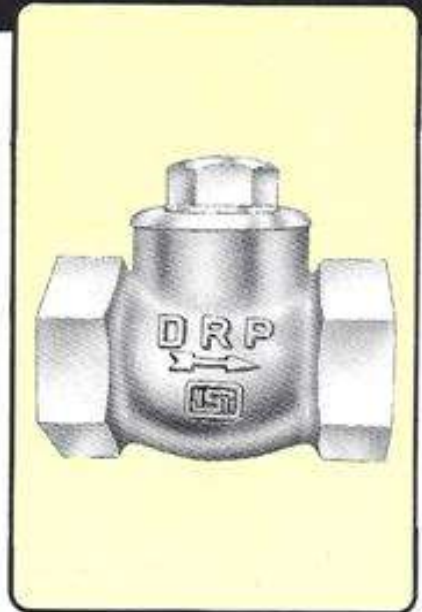
TESTING :

Testing of Valves is done as specified under Clause-9 of IS:778-1984. The Hydraulic Test pressures are indicated below :

Body Test Pressure = 1.5 MPa. Hyd.
Seat Test Pressure = 1.0 MPa. Hyd.

CERTIFICATION :

All Valves are supplied duly ISI Marked. Our Works Test Certificate shall be furnished if required.

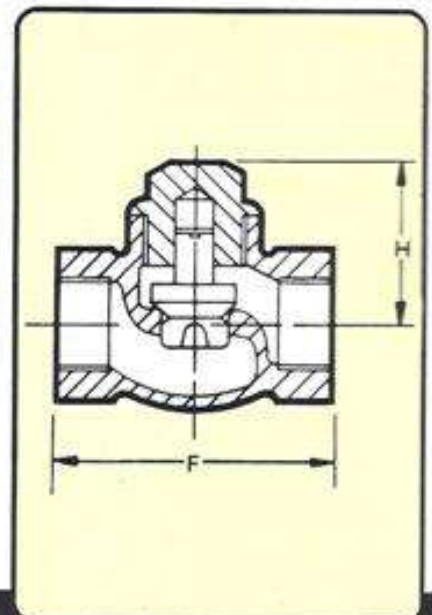


MATERIALS

Components	Material	Material Code
Body Bonnet & Valve Disc,	Gun Metal / Leaded Tin Bronze	GM/LTB 2

DIMENSIONS IN MM

Nominal Size	F	H
15	60	36
20	70	44
25	80	49
32	95	58
40	110	64
50	125	80
65	160	97
80	180	107
100	210	130



ITEM CODE: HI

GUN METAL FERRULE COCK

IS : 2692 ISI MARKED.



SPECIFICATION :

'DRP' Gun Metal Ferrule as per IS: 2692-1989 Screwed Male ends (BSPT) as per IS: 554, Ferrules are supplied in Rough finish.

TESTING :

Testing of Ferrules are done as specified under clause of IS : 2692 Hydraulic Test pressures are indicated below :-

Test Pressure = 2.0 Mpa Hyd.

CERTIFICATION :

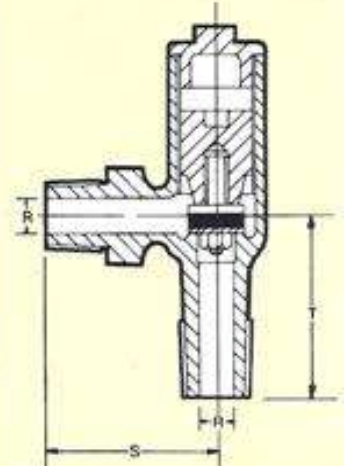
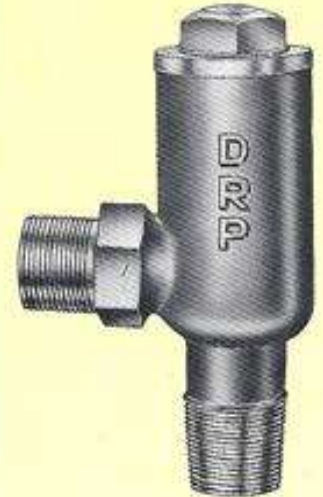
All Ferrules are supplied duly ISI Marked. Our Works Test Certificate shall be furnished if required.

MATERIALS

Components	Materials	Material Code
Body Plug & Cap	Gun Metal / Leaded Tin Bronze	GM/LTB 2
Washer Plate & Nut	High Tensile Brass	HTB
Rubber Washer	Natural Rubber	NR
Copper Washer	Copper	CU

DIMENSIONS IN MM

Nominal Size	R (Minimum)	S (Minimum)	T (Minimum)
15	12.3	55	60
20	17.8	60	65
25	24.5	70	75
32			
40			
50			



ITEM CODE: FI

BRONZE GATE VALVE PEGULAR TYPE SCREWED

SPECIFICATION :

'DRP' Bronze Wedge Gate Valve Peglar type, Inside screw non-rising stem, Integral seats, Screwed Female ends (BSP) Handwheel operated.

TESTING :

Body Test Pressure = 300 Psig Hyd

Seat Test Pressure = 200 Psig Hyd

CERTIFICATION :

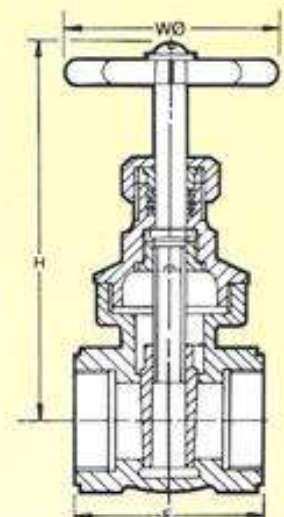
Our works Test Certificate shall be furnished if required.

MATERIALS

Components	Material	Material Code
Body, Bonnet, Wedge Gland & Gland Nut	Leaded Tin Bronze	LTB 2
Stem	Forged Brass	FB
Gland Packing	Asbestos	ASB
Handwheel	Cast Iron	CI
Washer & Screw for Handwheel	Mild Steel	MS

DIMENSIONS IN MM

Nominal Size	F	H	W
8	41	84	50
10	41	84	50
15	45	84	50
20	52	100	50
25	58	106	60
32	60	126	75
40	68	150	80
50	76	161	91
65	85	185	110
80	90	230	127
100	115	277	158



ITEM CODE: GP

BRONZE GATE VALVE HATTERSLEY TYPE, SCREWED

SPECIFICATION :

'DRP' Bronze Wedge Gate Valve Hattersley type (HEXLAY) inside Screw, non-rising stem, Integral Seats, Screwed female ends (BSP) Handwheel operated.

TESTING :

Body Test Pressure = 300 Psig Hyd
Seat Test Pressure = 200 Psig Hyd

CERTIFICATION :

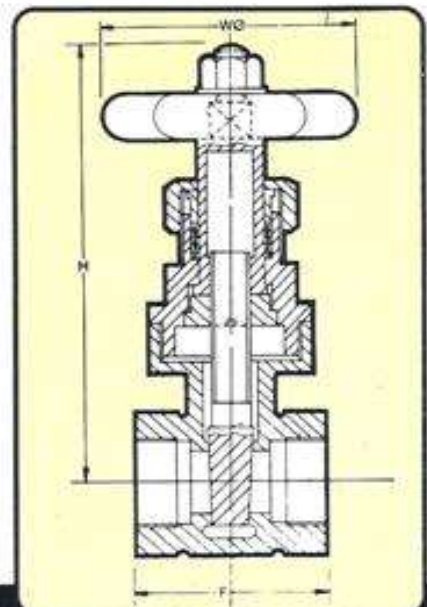
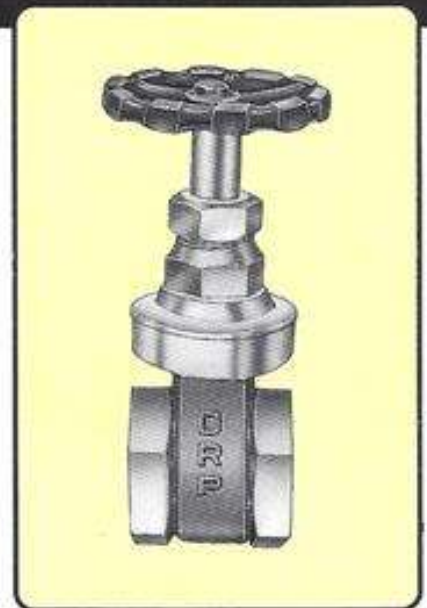
Our works Test Certificate shall be furnished if required.

MATERIALS

Components	Material	Material Code
Body, Bonnet, Spindle Gland & Gland Nut	Leaded Tine Bronze	LTB 2
Wedge	Forged Brass	FB
Gland Packing	Asbestos	ASB
Handwheel	Cast Iron	CI
Washer & Screw for Handwheel.	Mild Steel	MS

DIMENSIONS IN MM

Nominal Size	F	H	W
15	43	93	49
20	48	108	54
25	53	124	60
32	53	143	71
40	60	151	78
50	63	180	87
65	74	216	112
80	78	252	125



ITEM CODE: GH

BRONZE GLOBE VALVE NO. 4 SCREWED

SPECIFICATION :

'DRP' Bronze Globe Wheel Valve Medium Pattern Inside screw, rising stem, Integral Seats handwheel operation. Globe Wheel Valve No : 4 Screwed Female ends (BSP).

TESTING :

Body Test Pressure = 300 Psig Hyd
Seat Test Pressure = 200 Psig Hyd

CERTIFICATION :

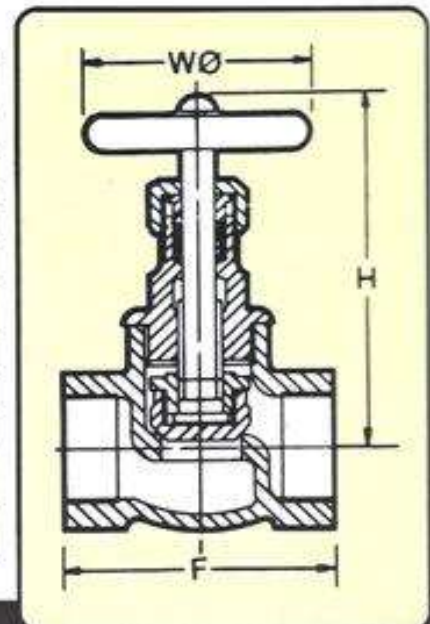
Our Works Test Certificate shall be furnished if required.

MATERIALS

Components	Material	Material Code
Body, Bonnet, Valve Disc Gland & Gland Nut	Leaded Tin Bronze	LTB 2
Stem	Forged Brass	FB
Handwheel	Cast Iron	CI
Gland Packing	Asbestos	ASB
Washer & Screw for Handwheel	Mild Steel	MS

DIMENSIONS IN MM

Nominal Size	F	H	W
8	40	62	40
10	44	62	40
15	48	73	50
20	56	77	57
25	67	94	65
32	80	107	80
40	90	124	91
50	110	141	99
65	135	165	110
80	156	170	127



ITEM CODE: W4

BRONZE GLOBE VALVE NO. 5 SCREWED

SPECIFICATION :

'DRP' Bronze Globe Wheel Valve Standard pattern Inside Screw, rising stem, Integral Seats Handwheel operated.

Globe Wheel Valve No : 5 Screwed Female ends (BSP)

TESTING :

Body Test Pressure = 500 Psig Hyd.
Seat Test Pressure = 400 Psig Hyd.

CERTIFICATION :

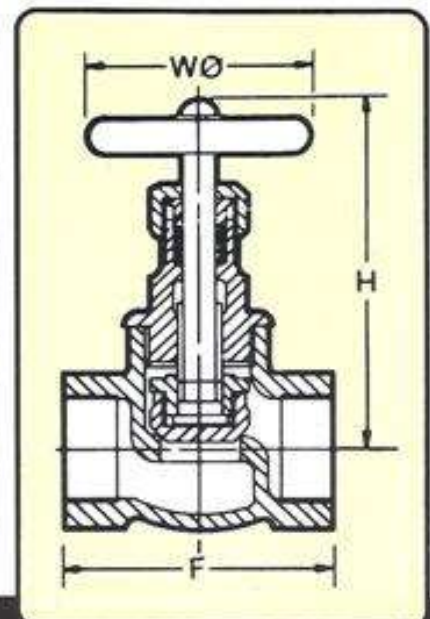
Our works Test Certificate shall be furnished if required.

MATERIALS

Components	Material	Material Code
Body, Bonnet, Valve Disc, Gland, Gland Nut & Check Nut	Leaded Tin Bronze	LTB 2
Stem	Forged Brass	FB
Handwheel	Cast Iron	CI
Gland Packing	Asbestos Yarn	ASB
Washer & Screw for Handwheel.	Mild Steel	MS

DIMENSIONS IN MM

Nominal Size	F	H	W
15	55	88	61
20	67	96	65
25	80	111	76
32	90	125	91
40	101	130	98
50	123	164	110



ITEM CODE: W5

BRONZE HORIZONTAL CHECK VALVE NO. 4 SCREWED

SPECIFICATION :

'DRP' Bronze Horizontal Check Valve No : 4, Integral Seat, Screwed Cover, Medium pattern, Screwed Female Ends (BSP)

TESTING :

Body Test Pressure = 300 Psig Hyd
Seat Test Pressure = 200 Psig Hyd

CERTIFICATION :

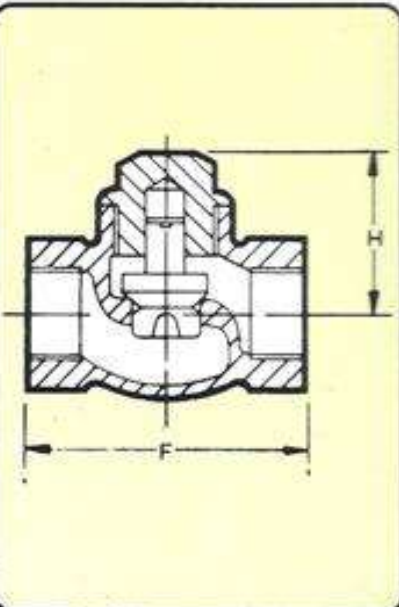
Our Works Test Certificate shall be furnished if required.

MATERIALS

Components	Material	Material Code
Body, Cover & Valve Disc.	Leaded Tin Bronze	LTB 2

DIMENSIONS IN MM

Nominal Size	F	H
15	48	29
20	56	34
25	67	42
32	80	46
40	90	52
50	110	62
65	135	84
80	156	95



ITEM CODE: H4

BRONZE HORIZONTAL CHECK VALVE NO. 5 SCREWED

SPECIFICATION :

'DRP' Bronze Horizontal Check Valve No : 5 Integral Seat, Screwed Cover, Standard pattern Screwed Female ends (BSP).

TESTING :

Body Test Pressure = 500 Psig Hyd.
Seat Test Pressure = 400 Psig Hyd.

CERTIFICATION :

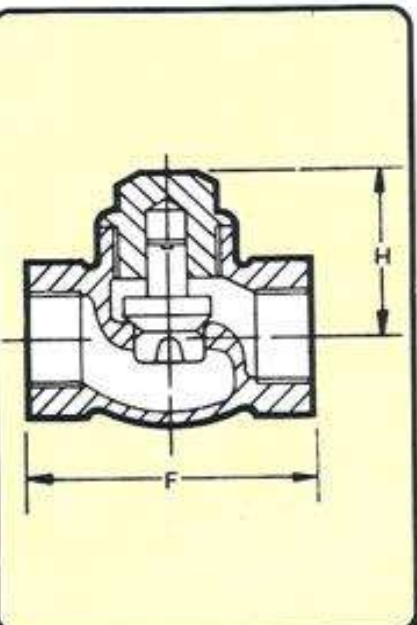
Our Works Test Certificate shall be furnished if required.

MATERIALS

Components	Material	Material Code
Body, Valve Disc & Cover.	Leaded Tin Bronze	LTB 2

DIMENSIONS IN MM

Nominal Size	F	H
15	55	35
20	67	41
25	80	49
32	90	56
40	101	65
50	123	74



ITEM CODE: H5

BRONZE VERTICAL CHECK VALVE MEDIUM PATTERN SCREWED

SPECIFICATION :

'DRP' Bronze Vertical Check Valve Medium pattern, Integral Seat, Screwed Female Ends (BSP)

TESTING :

Body Test Pressure = 250 Psig. Hyd.
Seat Test Pressure = 200 Psig. Hyd.

CERTIFICATION :

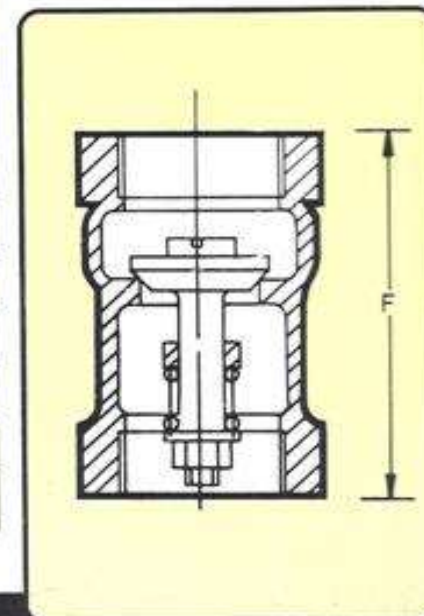
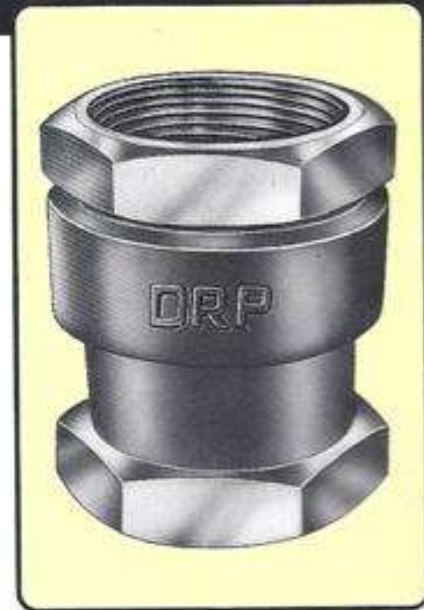
Our Works Test Certificate shall be furnished if required.

MATERIALS

Components	Material	Material Code
Body & Valve Disc	Leaded Tin Bronze	LTB 2
Nut & Washer	Forged Brass	FB
Spring	Stainless Steel	SS

DIMENSIONS IN MM

Nominal Size	F
15	55
20	61
25	61
32	74
40	79
50	93
65	110
80	124
100	150



ITEM CODE: VM

BRONZE VERTICAL CHECK VALVE STANDARD PATTERN, SCREWED

SPECIFICATION :

'DRP' Bronze Vertical Check Valve Standard Pattern, integral seat, Screwed Female ends (BSP)

TESTING :

Body Test Pressure = 300 Psig. Hyd.
Seat Test Pressure = 200 Psig. Hyd.

CERTIFICATION :

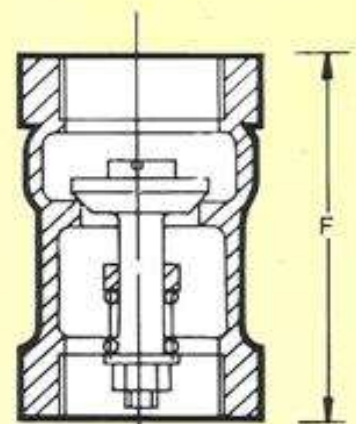
Our Works Test Certificate shall be furnished if required.

MATERIALS

Components	Material	Material Code
Body & Valve Disc	Leaded Tin Bronze	LTB 2
Nut & Washer	Forged Brass	FB
Spring	Stainless Steel	SS

DIMENSIONS IN MM

Nominal Size	F
15	65
20	70
25	75
32	85
40	95
50	110



ITEM CODE: VS

BRONZE FERRULE COCK JCSWR TYPE (STANDARD)

SPECIFICATION :

'DRP' Bronze Ferrule Standard pattern (JCSWR Type) Screwed Male (BSPT) Ends

TESTING :

Test Pressure = 300 Psig Hyd.

CERTIFICATION :

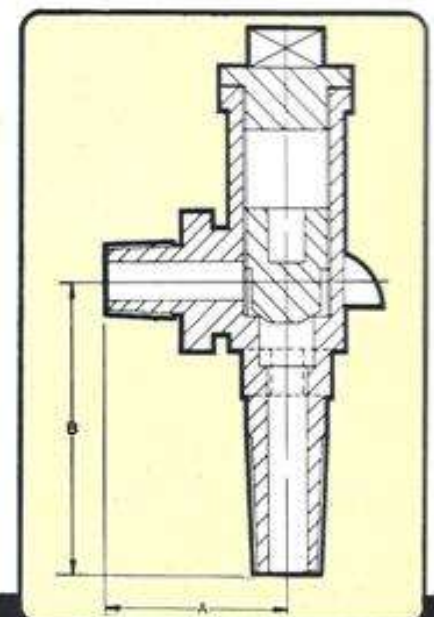
Our works Test Certificate shall be furnished if required.

MATERIALS

Components	Material	Material Code
Body, Cover & Plug	Leaded Tin Bronze	LTB 2
Gasket	Compressed Asbestos Fibre	FB

DIMENSIONS IN MM

Nominal Size	A	B
8	40	57
10	40	61
15	46	71



ITEM CODE: FS

BRONZE FERRULE COCK JCSWR TYPE (MEDIUM)

SPECIFICATION :

'DRP' Bronze Ferrule Medium pattern (JCSWR Type) Screwed Male (BSPT) Ends.

TESTING :

Test Pressure = 300 Psig Hyd

CERTIFICATION :

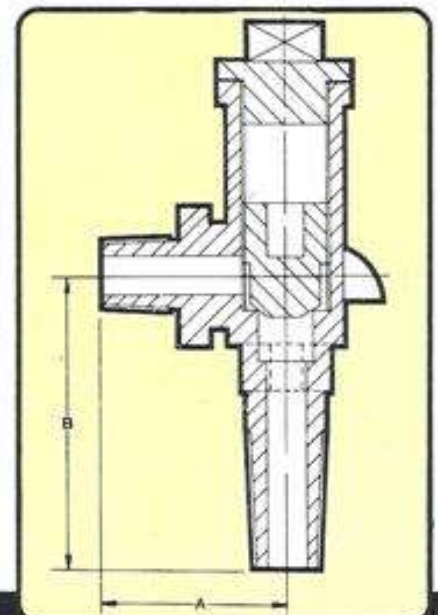
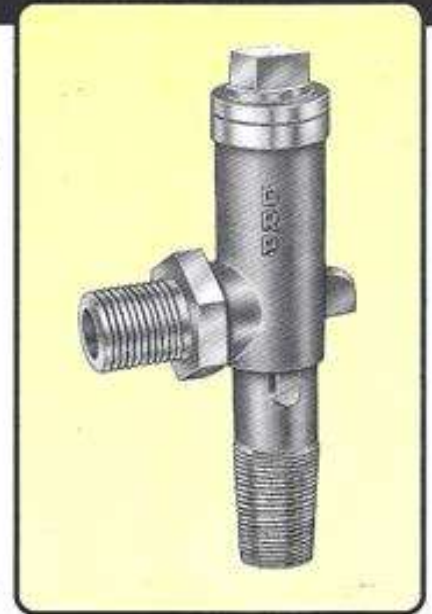
Our Works Test Certificate shall be furnished if required.

MATERIALS

Components	Material	Material Code
Body, Cover & Plug	Leaded Tin Bronze	LTB 2
Gasket	Compressed Asbestos Fibre	FB

DIMENSIONS IN MM

Nominal Size	A	B
15	40	60
20	50	73
25	53	77
32	57	83
40	68	96
50	74	104



ITEM CODE: FM

BRONZE UNION BONNET GLOBE VALVE, SCREWED

SPECIFICATION :

'DRP' Bronze Union Bonnet Globe Valve, Inside screw, renewable Stainless Steel trim, with back seat arrangement, Handwheel operated, Screwed female ends (BSP).

TESTING :

Body & Seat Test Pressure = 500 Psig Hyd

CERTIFICATION :

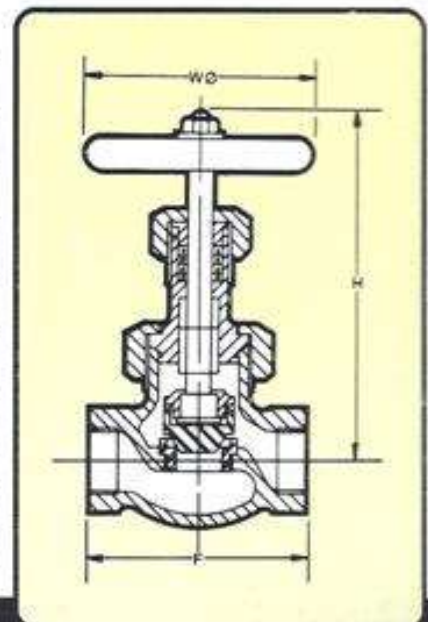
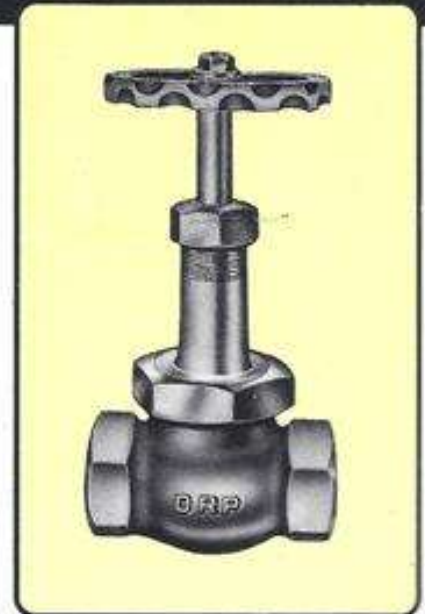
Our Works Test Certificate shall be furnished if required.

MATERIALS

Components	Material	Material Code
Body, Bonnet, Gland Gland Nut & Check Nut	Leaded Tin Bronze	LTB-2
Body Seat Ring, Valve Disc, Spindle	Stainless Steel	SS 410
Handwheel	Cast Iron	CI
Gland Packing	Graphited Asbestos	GASB
Nut Washer for Handwheel	Mild Steel	MS

DIMENSIONS IN MM

Nominal Size	F	H	W
15	75	137	76
20	86	160	82
25	97	170	90
32	108	180	90
40	125	223	110
50	148	243	140
65	168	258	164
80	203	290	180



ITEM CODE: BS

BRONZE UNION BONNET GLOBE VALVE, FLANGED

SPECIFICATION :

'DRP' Bronze Union Bonnet Globe Valve, Inside screw, renewable Stainless Steel trim with backseat arrangement, handwheel operated, Flanged ends to BS : 10 Table F.

TESTING :

Body & Seat Test Pressure = 500 Psig Hyd

CERTIFICATION :

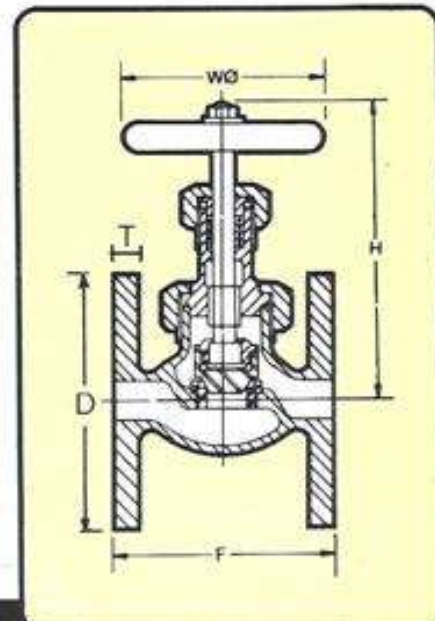
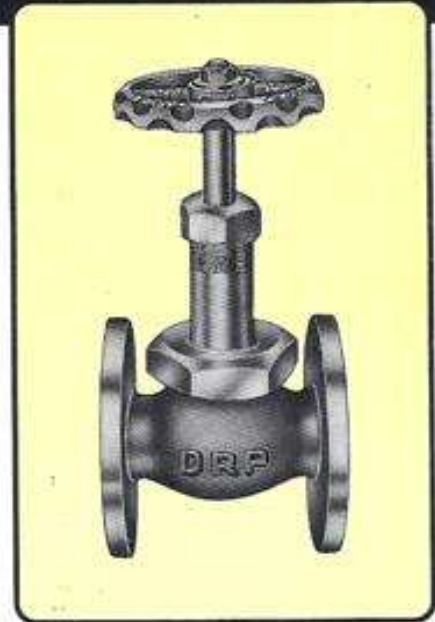
Our Works Test Certificate shall be furnished if required.

MATERIALS

Components	Material	Material Code
Body, Bonnet, Gland Gland Nut & Check Nut	Leaded Tin Bronze	LTB-2
Body Seat Ring, Valve Disc & Spindle	Stainless Steel	SS 410
Handwheel	Cast Iron	CI
Gland Packing	Graphited Asbestos	GASB
Nut Washer for Handwheel	Mild Steel	MS

DIMENSIONS IN MM

Nominal Size	F	H	W	D	T
15	82	137	76	95	8
20	96	160	82	102	8
25	112	170	90	121	9.6
32	119	180	90	133	9.6
40	132	223	110	140	11.1
50	158	243	140	165	11.1
65	188	258	164	184	12.7
80	213	290	180	203	14.3



ITEM CODE: BF

BRONZE HORIZONTAL CHECK VALVE UNION BONNET SCREWED

SPECIFICATION :

'DRP' Bronze Union Bonnet Horizontal Check Valve with renewable Stainless Steel trim, screwed Female Ends (BSP)

TESTING :

Body & Seat Test Pressure = 500 Psig Hyd.

CERTIFICATION :

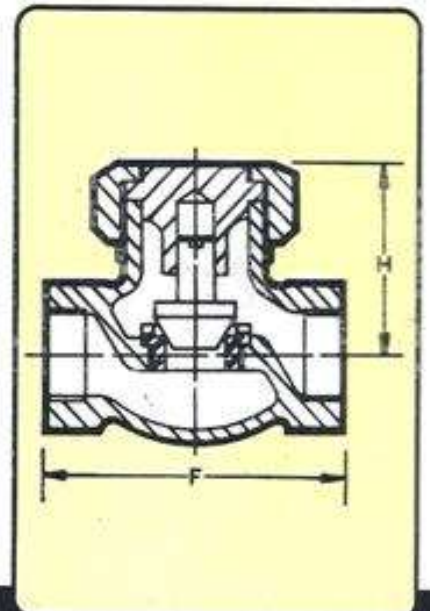
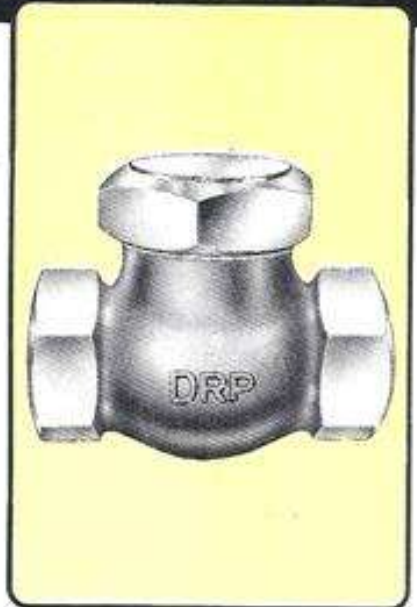
Our Works Test Certificate shall be furnished if required.

MATERIALS

Components	Material	Material Code
Body, Cover & Union Nut	Leaded Tin Bronze	LTB 2
Body, Seat Ring & Valve Disc.	Stainless Steel	SS 410

DIMENSIONS IN MM

Nominal Size	F	H
15	75	45
20	86	50
25	97	55
32	108	65
40	125	74
50	148	85
65	168	105
80	203	125



ITEM CODE: BHS

BRONZE GLOBE STEAM STOP VALVE SCREWED.

SPECIFICATION :

'DRP' Bronze Globe Steam Stop Valve, Inside screw, Rising stem with backseat arrangement, Renewable S.S. (AISI-410) trim, Screwed Female ends, suitable for maximum steam working pressure 250 Psig. Maximum operating temperature 225°C.

TESTING :

Body Test Pressure : 500 Psig. Hyd.
Seat & Backseat Test pressure : 500 Psig. Hyd. & 250 Psig. Steam

CERTIFICATION :

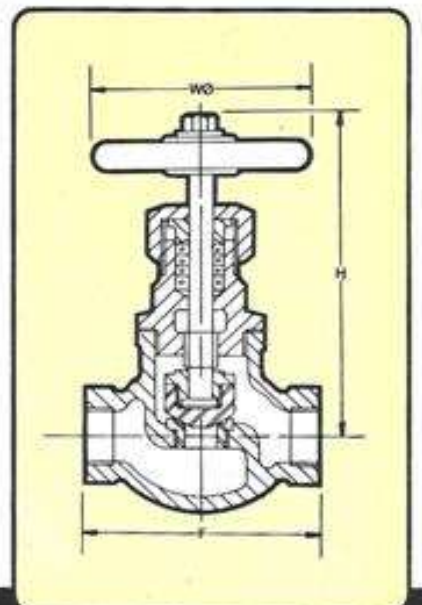
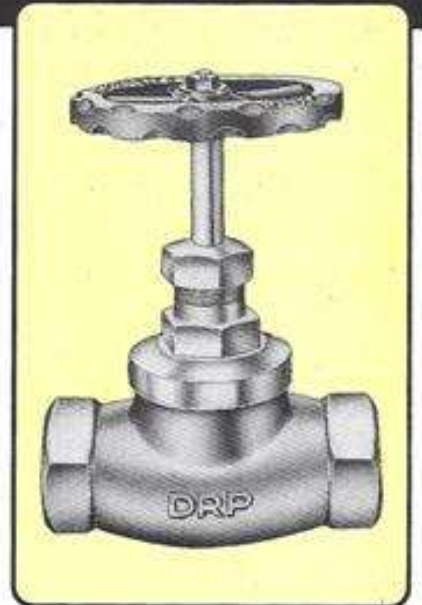
Our works Test Certificate shall be furnished if required.

MATERIALS

Components	Material	Material Code
Body, Bonnet, Check Nut, Gland and Gland Nut.	Leaded Tin Bronze	LTB-2
Body Seat Ring, Valve Disc & spindle	Stainless Steel	AISI-410
Handwheel	Cast Iron	CI
Gland Packing	Graphited Asbestos	GASB
Locking Washer	Brass Sheet	BS
Washer & Nut for Handwheel.	Mild Steel	MS

DIMENSIONS IN MM

Nominal Size	F	H	W
15 mm	83	112	76
20 mm	95	130	82
25 mm	111	154	90
32 mm	133	172	90
40 mm	152	182	110
50 mm	178	224	140



CODE NO. SSV

BRONZE PRESSURE RELIEF VALVE, SCREWED, OPEN DISCHARGE

SPECIFICATION :

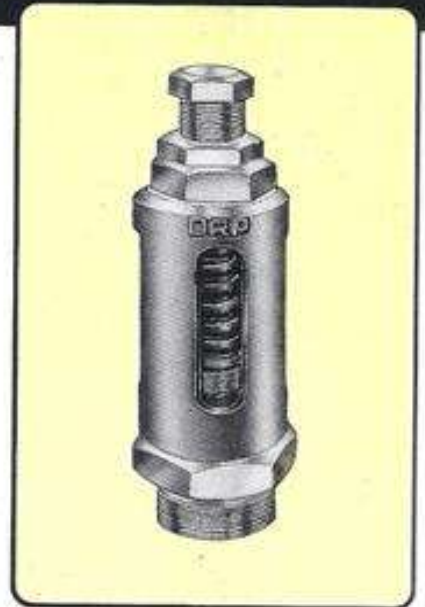
'DRP' Bronze Pressure Relief Valve,
Spring Loaded Open discharge
Screwed male BSP Inlet,
Suitable for Maximum Set pressure 150 Psig.

TESTING :

Body Test Pressure 300 Psig.

CERTIFICATION :

Our works Test Certificate shall be furnished if required.



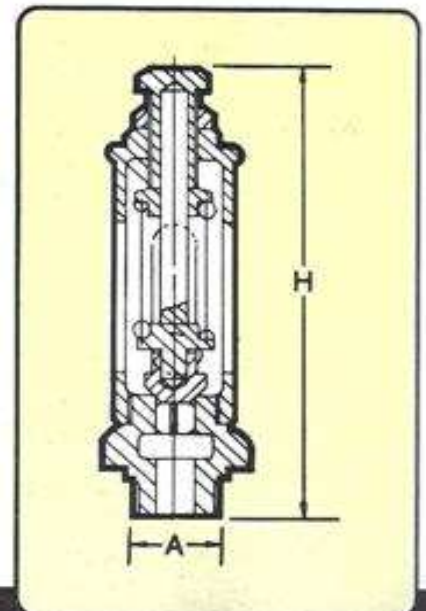
MATERIALS

Components	Material	Material Code
Body, Spring Chamber, Valve disc, Spring disc.	Leaded Tin Bronze	LTB-2
Spindle	Forged Brass	FB
Spring	Spring Steel	SPS



DIMENSIONS

Nominal Size	A	H
15 mm	1/2" BSP	140 mm
20 mm	3/4" BSP	165 mm
25 mm	1" BSP	175 mm
32 mm	1.1/4" BSP	185 mm
40 mm	1.1/2" BSP	205 mm
50 mm	2" BSP	235 mm



CODE NO. RV

BRONZE PRESSURE RELIEF VALVE SCREWED, ANGLE DISCHARGE.

SPECIFICATION :

'DRP' Bronze Pressure Relief Valve. Spring Loaded Angle discharge
Screwed male BSP Inlet and Screwed female BSP outlet
Suitable for Maximum Set pressure : 150 Psig.

TESTING :

Body Test Pressure : 300 Psig.

CERTIFICATION :

Our works Test Certificate shall be furnished if required.



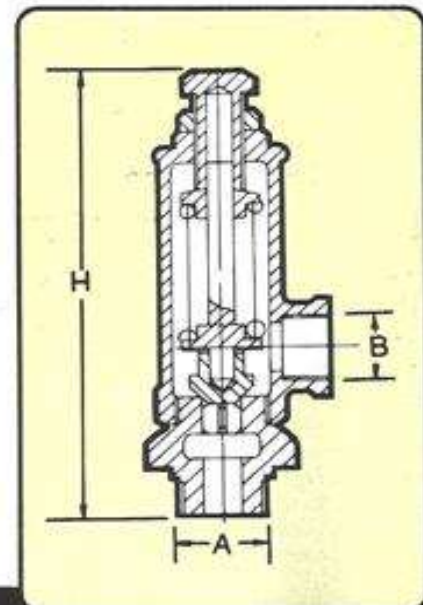
MATERIALS

Components	Material	Material Code
Body, Spring Chamber, Valve disc, Spring disc.	Leaded Tin Bronze	LTB-2
Spindle	Forged Brass	FB
Spring	Spring Steel	SPS



DIMENSIONS

Nominal Size	A	B	H
15 mm	1/2" BSP	1/2" BSP	140 mm
20 mm	3/4" BSP	3/4" BSP	165 mm
25 mm	1" BSP	1" BSP	175 mm
32 mm	1.1/4" BSP	1.1/4" BSP	185 mm
40 mm	1.1/2" BSP	1.1/2" BSP	205 mm
50 mm	2" BSP	2" BSP	235 mm



CODE NO. ARV

BRONZE BALL VALVE SCREWED.

SPECIFICATION :

'DRP' Bronze Ball Valve, One Piece Full Bore, Blow out proof stem, Floating Ball, Screwed Female ends(BSP) suitable for Maximum working pressure: 300 Psig.

TESTING :

Body Test pressure : 500 Psig. Hyd.
Seat Test pressure : 300 Psig. Hyd.

CERTIFICATION :

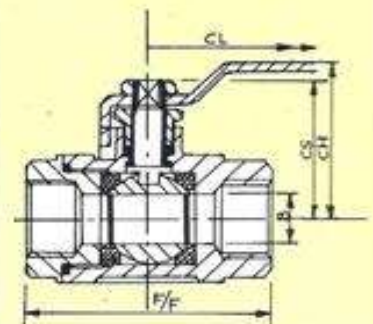
Our works Test Certificate shall be furnished if required.

MATERIALS

Components	Material	Material Code
Body & Body Connector.	Leaded Tin Bronze	LTB-2
Ball & Stem	AISI-304	S.S.
Gland Nut	Forged Brass	FB
Ball Seals, Gland Packing & Stem seal	Teflon	PTFE
Lever	M.S.	IS: 226
Lever Nut	M.S.	IS: 1367
Lever Sleeve	PVC	PVC

DIMENSIONS IN MM

Nominal Size	B	F/F	CS	CH	CL
15 mm	14	60	43	60	110
20 mm	18	72	52	63	120
25 mm	24	81	57	68	130
32 mm	30	93	61	76	130
40 mm	38	105	78	100	170
50 mm	49	126	84	110	170
65 mm	63	143	103	137	210
80 mm	75	160	117	152	215
100 mm	100	200	145	175	295



CODE NO. BV

BRASS BALL VALVE SCREWED.

SPECIFICATION :

'D&R' Brass (Die Cast) Ball Valve, One piece Reduce Bore, Blow out proof Stem, Floating Ball screwed Female Ends(BSP) suitable for Maximum working pressure 300 Psig.

TESTING :

Body Test pressure : 500 Psig. Hyd.
Seat Test pressure : 300 Psig. Hyd.

CERTIFICATION :

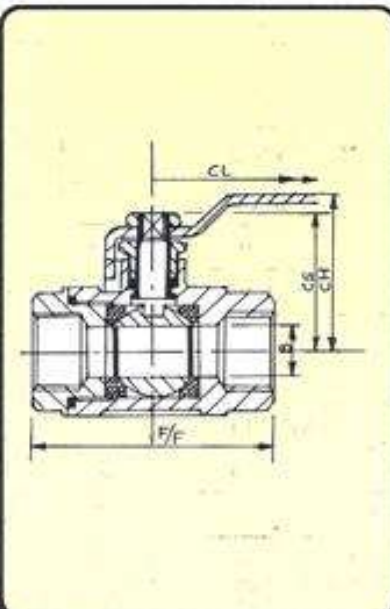
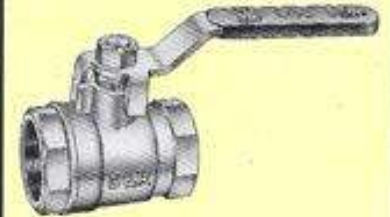
Our works Test Certificate shall be furnished if required.

MATERIALS

Components	Material	Material Code
Body & Body connector.	Die Cast Brass	DCB
Gland Nut	Forged Brass	FB
Ball & Stem	AISI-304	S.S.
Ball Seals, Gland Packing & Stem seal	Teflon	PTFE
Lever	MS	IS: 226
Lever Nut	MS	IS: 1367
Lever Sleeve	PVC	PVC

DIMENSIONS IN MM

Nominal Size	B	F/F	CS	CH	CL
15 mm	12.5	55	39	52	95
20 mm	15	59	42	54	112
25 mm	20	71	51	64	112
32 mm	25	80	57	69	112
40 mm	32	91	71	82	154
50 mm	40	105	76	85	160
65 mm					
80 mm					
100 mm					



CODE NO. BB

BRONZE BALL VALVE FLANGED ENDS.

SPECIFICATION :

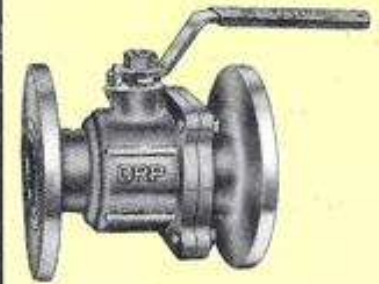
'DRP' Bronze Ball Valve, Two piece full bore, Blow out proof stem, Floating Ball, Flanged ends as per BS: 10 Table - F, suitable for Maximum Working Pressure 300 Psig.

TESTING :

Body Test Pressure : 500 Psig. Hyd.
Seat Test Pressure : 300 Psig. Hyd.

CERTIFICATION :

Our works Test Certificate shall be furnished if required.

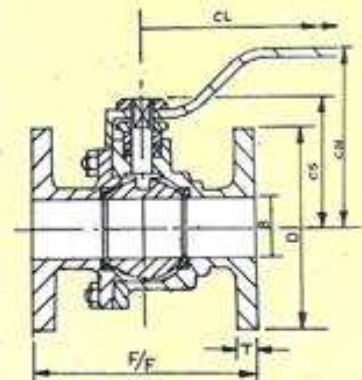


MATERIALS

Components	Material	Material Code
Body & Body connector	Leaded Tin Bronze	LTB-2
Ball & Stem	AISI-304	S.S.
Gland Nut	Forged Brass	FB
Ball Seals, Gland Packing & Stem Seal	Teflon	PTFE
Lever	M.S.	IS: 226
Lever Nut	M.S.	IS: 1367
Lever Sleeve	PVC	PVC

DIMENSIONS IN MM

Nominal Size	B	F/F	CS	CH	CL	D	T
15 mm	14	84	43	60	110	96	8
20 mm	18	96	52	63	120	102	8
25 mm	24	106	57	68	130	121	10
32 mm	30	123	61	76	130	134	10
40 mm	38	137	78	100	170	140	11.5
50 mm	49	162	84	110	170	166	11.5
65 mm	63	172	103	137	210	185	13
80 mm	75	190	117	152	215	204	15
100 mm	100	225	145	175	295	229	18



CODE NO. BF

BRONZE MULTI CHECK VALVE SCREWED

SPECIFICATION :

DRP Bronze Multi Check Valve, Screwed Female ends(BSP), it can be fitted in any position like vertical, Horizontal or oblique, suitable for any type of Industrial and domestic application.

TESTING :

Body Test pressure : 300 Psig.
Seat Test pressure : 200 Psig.

CERTIFICATION :

Our works Test Certificate shall be furnished if required.



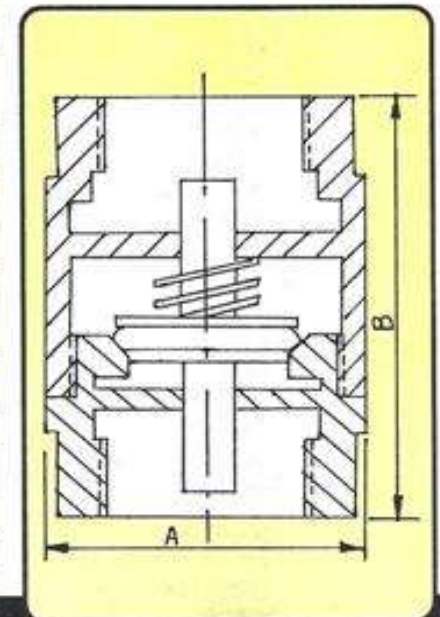
MATERIALS

Components	Material	Material Code
Body & Valve Disc	Leaded Tin Bronze	LTB 2
Spring	AISI-304	S.S.
Disc Seat	Synthetic 'O' Ring	Synthetic



DIMENSIONS IN MM

Nominal Size	A	B
15 mm	57	35
20 mm	62	42
25 mm	68	48
32 mm	74	59
40 mm	84	70
50 mm	99	86
65 mm	114	95
80 mm	119	106
100 mm	128	135



CODE NO. MC

S.S. THERMODYNAMIC STEAM TRAP (INVESTMENT CASTING) SCREWED

SPECIFICATION :

'DRP' S.S (AISI-420) THERMODYNAMIC Type Steam Trap with Stainless Steel (AISI-304) strainer, Screwed Female Ends (BSPT) suitable for maximum pressure 500 Psig steam, maximum operating temperature 425°C.

TESTING :

Steam Test Pressure : 500 Psig.

CERTIFICATION :

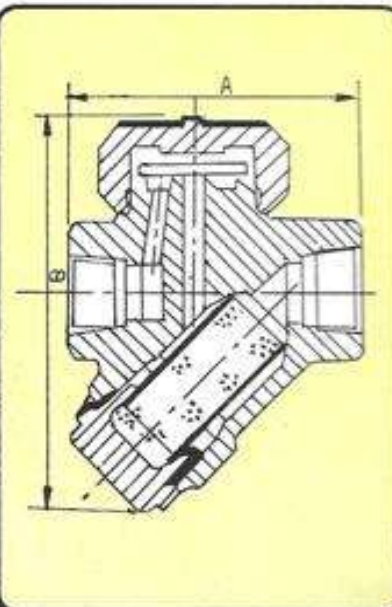
Our works Test Certificate shall be furnished if required.

MATERIALS

Components	Material	Material Code
Body	Stainless Steel	AISI- 420
Main Cap	Stainless Steel	AISI- 420
Disc	Stainless Steel	AISI- 420
Filter Cap	Stainless Steel	AISI- 420
Filter	Stainless Steel	AISI- 304

DIMENSIONS IN MM

Nominal Size	A	B
15 mm	78	106
20 mm	78	106
25 mm	90	120



CODE NO. IST

S.S BALL VALVE (INVESTMENT CASTING) SCREWED.

SPECIFICATION :

'DRP' Investment Casting S.S (AISI-304/316) CF8/CF8M, One Piece full Bore Blow out proof stem, Floating ball, Screwed Female ends(BSPT), suitable for maximum working pressure 500 Psig, Maximum operating temperature: 350°C.

TESTING :

Body Test Pressure : 1000 Psig. Hyd.
Seat Test Pressure : 500 Psig. Hyd. 150 Psig. Air.

CERTIFICATION :

Our works Test Certificate shall be furnished if required.

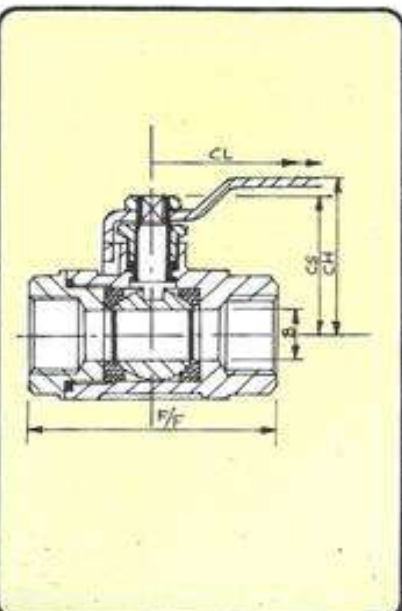


MATERIALS

Components	Material	Material Code
Body, Body connector & Ball	AISI-304/316	CF8/CF8M
Stem Gland Nut and Lever Nut.	AISI-304/316	S.S.- 304/316
Lever	AISI-304	S.S.-304
Stem Seat, Ball Seats and Gland Packing.	Teflon	PTFE
Lever Sleeve	PVC	PVC

DIMENSIONS IN MM

Nominal Size	B	F/F	CS	CH	CL
15 mm	12.5	64	45	60	112
20 mm	18	75	50	64	122
25 mm	24	87	56	68	130
32 mm	30	95	60	72	130
40 mm	38	104	65	95	168
50 mm	49	125	75	105	195



CODE NO. IC

S.S. BALL VALVE 3 Pc. FLANGED ENDS.

SPECIFICATION :

DRP Investment Casting S.S. (AISI-304/316) CF8/CF8M 3 Pc. Full Bore Blow out proof stem, Floating Ball, FIRE/NON FIRE SAFE DESIGN, Flanged ends are conforming to ASA-150 and drilled as per ANSI-B-16. 5 RF.

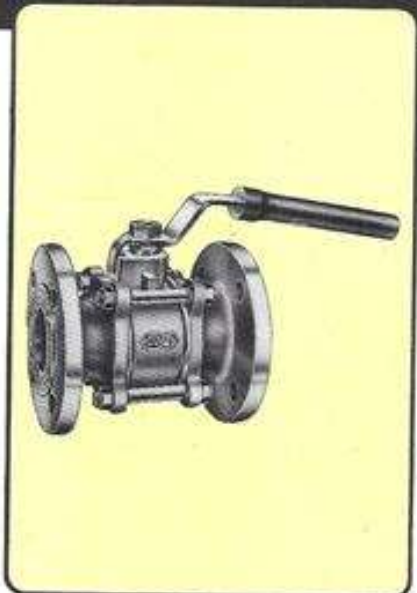
TESTING :

Body Test Pressure : 800 Psig. Hyd.

Seat Test Pressure : 125 Psig. Air.

CERTIFICATION :

Our works Test Certificate shall be furnished if required.



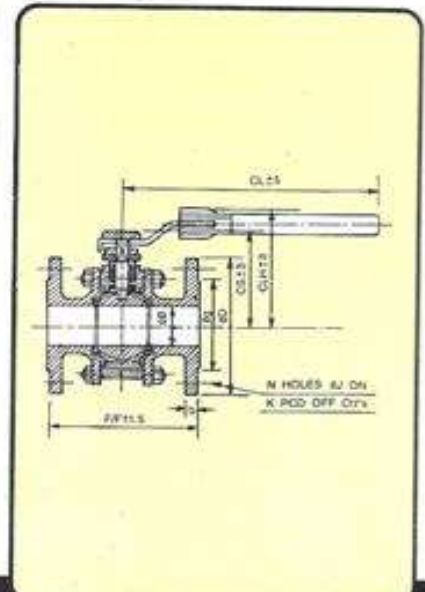
MATERIALS

Components	Material	Material Code
Body, Body Connector & Ball.	AISI-304/316	CF8/CF8M
Stem, Gland Nut, Lever Nut, Body Stud, Bolt Nut.	AISI-304/316	S.S.-304/316
Lever	AISI-304	S.S.-304
Stem, Seals, Ball Seals, & Gland Packing	Teflon	P.T.F.E.
Lever Sleeve	PVC	PVC



ALL DIMENSIONS IN MM

Nominal Size	B	F/F	D	b	g	K	N	J	CS	CLH	CL
25 mm	24	127	108	11.5	51	79.5	4	16	50	62	125
32 mm											
40 mm	38	165	127	14.5	73	98.5	4	16	72	100	165
50 mm	48	178	153	16.0	92	120.5	4	19	72	114	190
65 mm	64	190	178	17.5	105	140.0	4	19	110	160	285
80 mm	75	203	191	19.0	127	152.5	4	19	124	172	285
100 mm	98	229	229	24.00	157	190.5	8	19	144	210	330



CODE NO. ICF

BRONZE THERMODYNAMIC STEAM TRAP

SPECIFICATION :

'DRP' BRONZE Thermodynamic Type Steam Trap with stainless steel trim and strainer, screwed female ends (BSPT) suitable for Maximum pressure : 250 Psig.

TESTING :

Hydraulic Test Pressures : 500 Psig.
Steam Test Pressure : 250 Psig.

CERTIFICATION :

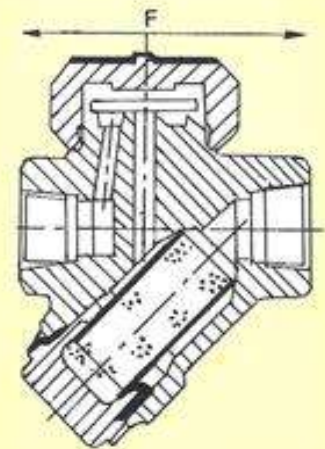
Our works Test Certificate shall be furnished if required.

MATERIALS

Components	Material	Material Code
Body	Bronze	Bronze
Seat, Disc, Cover,	Stainless steel	SS-410
Strainer	Stainless Steel	SS-304
Name Plate	Aluminium Sheet	AIS

DIMENSIONS IN MM

Nominal Size	F
15 mm	78
20 mm	96
25 mm	120



CODE NO. ST

BRONZE ASBESTOS PACKED WATER LEVEL GAUGE SCREWED-FLANGED

SPECIFICATION :

'DRP' BRONZE Asbestos Packed water level gauge; screwed Male (BSP) ends or Flanged ends as per BS-10 Table F.

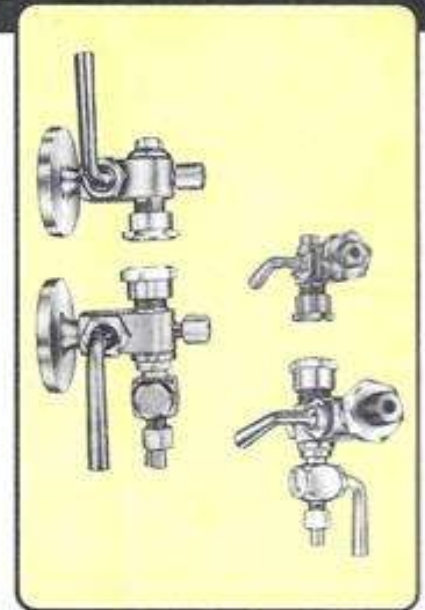
Suitable for Maximum BOP-150 Psig.
Available for left hand or right hand mounting

TESTING :

Hydraulic Test Pressures : 300 Psig.

CERTIFICATION :

Our works Test Certificate shall be furnished if required.



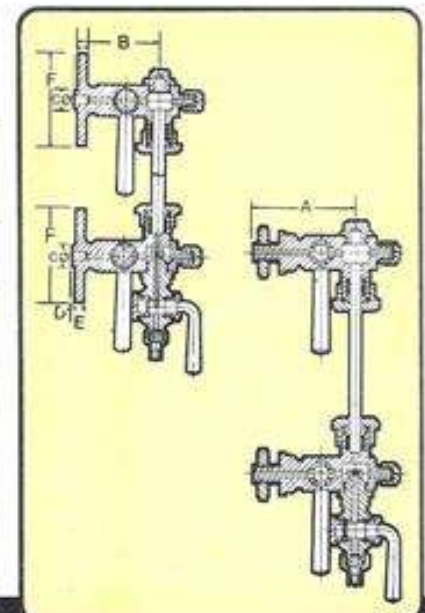
MATERIALS

Components	Material	Material Code
Body, Plug, Cover Nuts, Drain cock and Back Nuts	IBR BRONZE Grade-B	BRONZE
Fastening Nuts.	Foged Brass	FB
Packing	Graphited Asbestos	GASB



DIMENSIONS IN MM

Nominal Size	A	B	C	E	F
10 mm (3/8")	102	80	12.75	8	95
15 mm (1/2")	102	80	19	8	95
18 mm (5/8")	125	99	25	8	102
20 mm (3/4")	125	99	25	8	102



CODE NO. WSG / WSF

