

DRP-M[®]



*Experience & Technology
Support Our Products*



Since 1996

कर्मण्येवाधिकारस्ते मा फलेषु कदाचन।
मा कर्मफलहेतुर्भूर्मा ते संगोऽस्त्वकर्माणि॥

(You have right to duty but not in its award. You should not be the reason of awards of your deeds and also you should not have attachment in not doing deeds.)

Believing in this dictum of Shrimad Bhagvat Geeta, Sh. Pran Nath Bhalu made a very humble beginning with a small capital but with lots of blessings of his elders, Prabhu and Guru, for the manufacturing of Gun Metal Valves in a covered area of about 600 sq. ft. in the name & style of DRP Metals Works (Regd.) in 1976, his independent business after a short stint of learning process.

"As you sow, so shall you reap" the seeds of honesty, hard work & quality sown about 31 years ago have grown into a monolith, with four independent group companies, having more than 1 lac sq. feet covered area, latest CNC machines, diverse product portfolio and committed & qualified family work force.

In the development process, which is still continuing, brothers of Sh. Pran Nath namely Sh. Gopal Sharan, Sh. Desh Bandhu & Sh. Priya Mohan joined the business and the next generation of technically qualified youngsters is slowly but surely taking over.

A brief of growth and development is as follows :

Sr. No.	Company	Year Established	Products
1.	DRP Metal Works	1976	 Bronze & S.S. Valves & Cocks
2.	Veeson Valves Pvt. Ltd.	1992	 C.I. Industrial Valves & Cocks
3.	DRP Malleables Pvt. Ltd.	1996	 M.I.G.I. & C.S. Heavy Pipe Fittings
4.	Dhaniram Industries	2003	 Brass Valves & Cocks

These companies, though working independently, are still under guidance and advise of parent set up, a united force of family values, which till date, is unique in itself, while normally the companies start dividing themselves on family lines after a short period of bonhomie.

The hands on training of family values, quality products and good business relations, inculcate in the youngsters joining the business, the importance of human relations with our valueable customers, who are backbone of our growth.

Family support has helped us think big and do well.

Experience & Technology Support Our Products

Think Innovatively & Come up with
Win-win solutions always

Quality Policy

We at DRP are committed to manufacture and supply Quality Products as per customer and market requirement for their entire satisfaction. We will strive to continually improve the effectiveness of the established Quality Management System.



Standard Taper Plug Gauges & Ring Gauges

Quality Control System

- Standard Composition of Raw Material
- Proper Composition of Liquid Material
- Strict Testing of Malleability
- Exact Size of Moulds
- More Than Standard Coating of Zinc
- Quality Machining & Threading
- Standard Hydraulic Testing
- Angle Inspection With Modern Equipment
- Shining Surface Smoothness



Computer Aided Designing



Full Equipped Workshop



Fully Equipped Lab.

International
Standard's Infrastructure,
Research & Development Lab.
(R&D)

Facilities at
DRP-M

- Moulding
- Heat Treatment
- Galvanizing
- Machining
- Testing
- Packaging
- Despatch

Widest Range of Products
all India dealer network
and prompt delivery.



Casting



Chemical Test



Hydraulic Test



CNC Unit





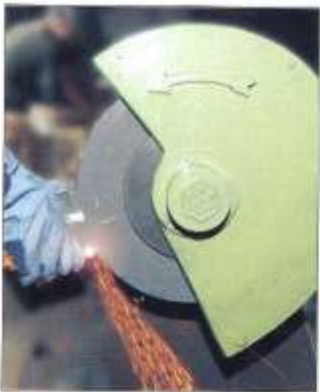
1. Computerized Design



2. Quality Raw Material



3. Chemical Analysis of Raw Material



7. Grinding



8. Press Work



9. Shot Blasting



Process Flow Chart



4. Melting by Rotary Furnace



5. Moulds by Core Shooter Machine



6. Annealing Procedure



10. Hot Dip Galvanising



11. Chamfering



12. Machining & Threading with CNC



16. Final Inspection



17. Packing



18. Despatch

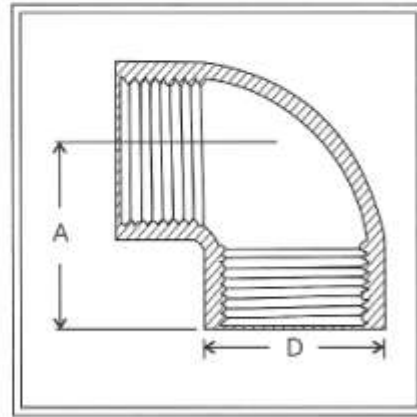


Fit & Forget

"Experience & Technology Support Our Products"



Elbow Equal



Size in inches	Size in mm	A in mm	D in mm	Weight in Kg.
1/4	8	25	22	0.080
3/8	10	28	26	0.110
1/2	15	34.5	31	0.165
3/4	20	38	36	0.240
1	25	44	44	0.315
1¼	32	50	54	0.475
1½	40	53.5	59	0.535
2	50	61	72	0.810
2½	65	71	88	1.450
3	80	80	102	2.060
4	100	102	130	3.475
5	125	118	154	5.300
6	150	134	180	6.775

Features :

- ✓ Higher Malleability for Maximum Compression.
- ✓ Effective Galvanizing for smoothness.
- ✓ Precision Threading for accurate fittings.
- ✓ Error free 90° Angle for smooth installation.



Ideal for Buildings

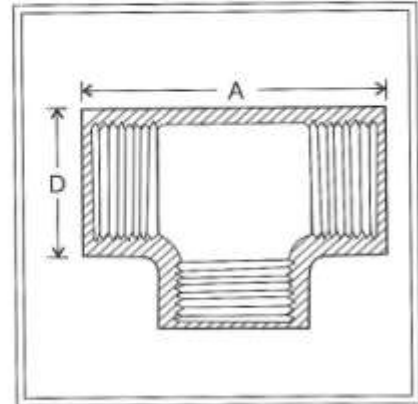


Fit & Forget

"Experience & Technology Support Our Products"



Tee Equal



Size in inches	Size in mm	A in mm	D in mm	Weight in Kg.
1/4	8	51	22	0.180
3/8	10	57	26	0.190
1/2	15	66	31	0.220
3/4	20	74	36	0.280
1	25	82	44	0.400
1¼	32	94	53	0.595
1½	40	102	59	0.690
2	50	120	72	1.060
2½	65	140	88	1.720
3	80	160	102	2.490
4	100	198	129	4.650
5	125	232	154	6.660
6	150	264	182	9.900

Features :

- ✓ Higher Malleability for Maximum Compression.
- ✓ Effective Galvanizing for smoothness.
- ✓ Precision Threading for accurate fittings.
- ✓ Error free 90° Angle for smooth installation.



Ideal for Refineries



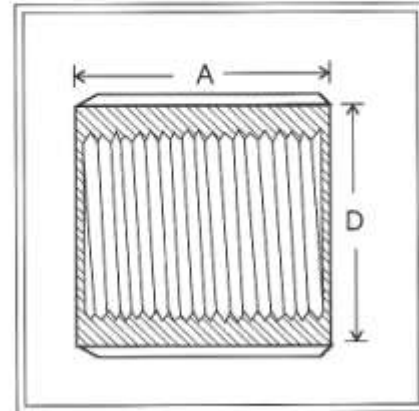
Fit & Forget

"Experience & Technology Support Our Products"

DRP-M

M.I.G.I.
Heavy
Pipe
Fittings.....

Socket Equal



Size in inches	Size in mm	A in mm	D in mm	Weight in Kg.
1/4	8	30	22	0.080
3/8	10	33	26	0.080
1/2	15	39	31	0.110
3/4	20	43	36	0.140
1	25	47	43	0.200
1¼	32	54	53	0.315
1½	40	59	61	0.360
2	50	68	74	0.570
2½	65	79	91	0.925
3	80	86	107	1.180
4	100	101	132	1.910
5	125	120	162	3.190
6	150	133	192	4.520

Features :

- ✓ Higher Malleability for Maximum Compression.
- ✓ Effective Galvanizing for smoothness.
- ✓ Precision Threading for accurate fittings.
- ✓ Error free 180° Angle for smooth installation.



Ideal for Amusement Parks

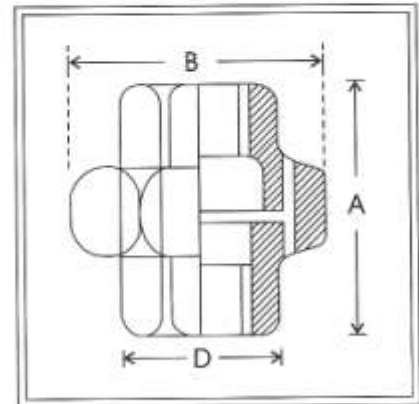


Fit & Forget

"Experience & Technology Support Our Products"



Union Equal



Size in inches	Size in mm	A in mm	B in mm	D in mm	Weight in Kg.
1/4	8	46	38	23	0.150
3/8	10	48	41	26	0.200
1/2	15	54	48	31	0.300
3/4	20	60	56	36	0.420
1	25	63	64	43	0.565
1¼	32	72	75	52	0.780
1½	40	76	81	59	0.900
2	50	82	96	72	1.350
2½	65	92	116	90	2.100
3	80	101	134	102	3.050
4	100	121	155	130	4.300
5	125	137	192	155	6.900
6	150	154	224	182	9.500

Features :

- ✓ Higher Malleability for Maximum Compression.
- ✓ Effective Galvanizing for smoothness.
- ✓ Precision Threading for accurate fittings.
- ✓ Error free 180° Angle for smooth installation.



Ideal for Bathroom

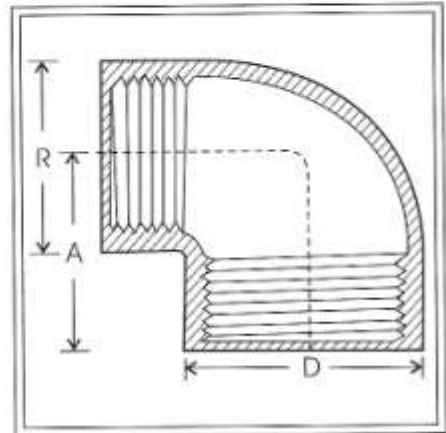


Fit & Forget

"Experience & Technology Support Our Products"



Reducing Elbow



Size in Inches	Size in MM	A in MM	D in MM	R in MM	Weight in Kgs.
3/8 x 1/4	10x8	28	26	22	0.080
1/2 x 1/4	15x8	30	31	22	0.115
1/2 x 3/8	15x10	32	31	26	0.125
3/4 x 1/2	20x15	34	36	31	0.190
1 x 1/2	25x15	35	42	31	0.230
1 x 3/4	25x20	41	42	36	0.290
1 1/4 x 1/2	32x15	43	52	31	0.300
1 1/4 x 3/4	32x20	44	52	36	0.340
1 1/4 x 1	32x25	46	52	43	0.360
1 1/2 x 1/2	40x15	48	59	31	0.350
1 1/2 x 3/4	40x20	48	59	36	0.360
1 1/2 x 1	40x25	49	59	43	0.430
1 1/2 x 1 1/4	40x32	51	59	52	0.500
2 x 1/2	50x15	55	72	31	0.550
2 x 3/4	50x20	55	72	36	0.600
2 x 1	50x25	56	72	43	0.650
2 x 1 1/4	50x32	57	72	52	0.810
2 x 1 1/2	50x40	56	72	59	0.810
2 1/2 x 1/2	65x15	59	89	31	0.900

Size in Inches	Size in MM	A in MM	D in MM	B in MM	Weight in Kgs.
2 1/2 x 1	65x25	64	89	43	1.000
2 1/2 x 1 1/4	65x32	66	89	52	1.100
2 1/2 x 1 1/2	65x40	68	89	59	1.100
2 1/2 x 2	65x50	69	89	72	1.250
3 x 1/2	80x15	66	103	31	1.000
3 x 3/4	80x20	68	103	36	1.200
3 x 1	80x25	70	103	43	1.280
3 x 1 1/4	80x32	73	103	52	1.520
3 x 1 1/2	80x40	75	103	59	1.520
3 x 2	80x50	76	103	72	1.850
3 x 2 1/2	80x65	82	103	89	1.900
4 x 1/2	100x15	80	129	31	1.700
4 x 3/4	100x20	82	129	36	1.700
4 x 1	100x25	84	129	43	1.750
4 x 1 1/4	100x32	88	129	52	2.200
4 x 1 1/2	100x40	89	129	59	2.200
4 x 2	100x50	90	129	72	2.300
4 x 2 1/2	100x65	92	129	89	2.400
4 x 3	100x80	95	129	103	3.200

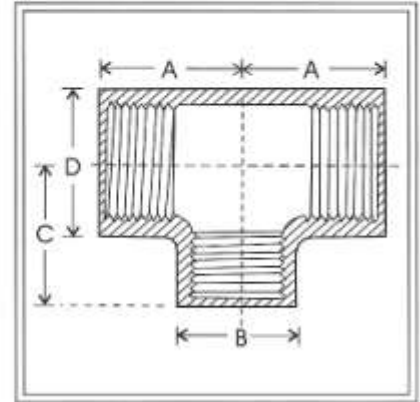


Fit & Forget

"Experience & Technology Support Our Products"



Reducing Tee



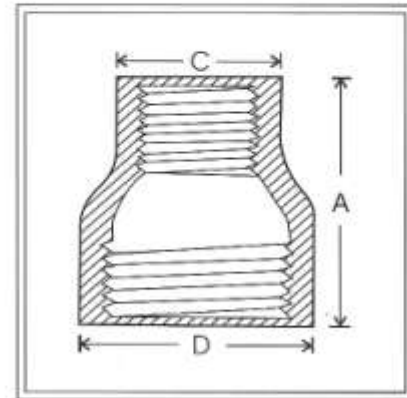
Size in Inches	Size in MM	A in MM	B in MM	C in MM	D in MM	Weight in Kgs.	Size in Inches	Size in MM	A in MM	B in MM	C in MM	D in MM	Weight in Kgs.
3/8 x 1/4	10x8	26	23	27	26	0.120	3 x 1 1/4	80x32	58	53	74	102	1.650
1/2 x 1/4	15x8	27	23	30	31	0.170	3 x 1 1/2	80x40	60	59	76	102	1.720
1/2 x 3/8	15x10	29	26	31	31	0.180	3 x 2	80x50	67	72	77	102	2.000
3/4 x 1/2	20x15	33	31	35	36	0.260	3 x 2 1/2	80x65	74	89	78	102	2.000
1 x 1/2	25x15	35	31	39	44	0.330	4 x 1/2	100x15	52	31	85	130	2.050
1 x 3/4	25x20	37	36	39	44	0.330	4 x 3/4	100x20	54	36	85	130	2.180
1 1/4 x 1/2	32x15	36	31	45	52	0.400	4 x 1	100x25	58	43	86	130	2.360
1 1/4 x 3/4	32x20	38	36	45	52	0.450	4 x 1 1/4	100x32	63	52	86	130	2.550
1 1/4 x 1	32x25	42	43	46	52	0.500	4 x 1 1/2	100x40	67	59	90	130	2.550
1 1/2 x 1/2	40x15	38	31	49	59	0.500	4 x 2	100x50	72	72	91	130	2.900
1 1/2 x 3/4	40x20	40	36	49	59	0.520	4 x 2 1/2	100x65	81	89	93	130	3.300
1 1/2 x 1	40x25	43	43	49	59	0.550	4 x 3	100x80	87	102	96	130	3.600
1 1/2 x 1 1/4	40x32	48	52	51	59	0.650	5 x 1/2	125x15	61	44	98	154	3.200
2 x 1/2	50x15	39	31	54	72	0.680	5 x 3/4	125x20	61	44	98	154	3.200
2 x 3/4	50x20	42	36	54	72	0.700	5 x 1	125x25	61	44	98	154	3.200
2 x 1	50x25	46	42	56	72	0.750	5 x 4	125x100	103	128	113	153	6.400
2 x 1 1/4	50x32	50	51	56	72	0.870	6 x 1/2	150x15	66	43	112	180	5.400
2 x 1 1/2	50x40	53	58	58	72	0.920	6 x 3/4	150x20	66	43	112	180	5.350
2 1/2 x 1/2	65x15	43	31	61	89	0.960	6 x 1	150x25	66	43	112	180	5.200
2 1/2 x 3/4	65x20	41	36	62	89	1.000	6 x 1 1/4	150x32	70	53	113	180	5.300
2 1/2 x 1	65x25	50	43	65	89	1.150	6 x 1 1/2	150x40	73	58	115	180	4.900
2 1/2 x 1 1/4	65x32	55	53	67	89	1.250	6 x 2	150x50	78	71	116	180	5.550
2 1/2 x 1 1/2	65x40	57	59	68	89	1.300	6 x 2 1/2	150x65	84	88	120	180	5.350
2 1/2 x 2	65x50	63	72	69	89	1.350	6 x 3	150x80	94	120	120	180	6.450
3 x 1/2	80x15	48	31	69	102	1.350	6 x 4	150x100	105	128	125	180	6.500
3 x 3/4	80x20	50	36	72	102	1.400	6 x 5	150x125	117	153	131	180	6.200
3 x 1	80x25	54	43	72	102	1.540							

 Fit & Forget

'Experience & Technology Support Our Products'



Reducing Socket



Size in Inches	Size in MM	A in MM	D in MM	C in MM	Weight in Kgs.	Size in Inches	Size in MM	A in MM	D in MM	C in MM	Weight in Kgs.
3/8 x 1/4	10x8	33	26	22	0.060	3 x 3/4	80x20	85	102	36	1.100
1/2 x 1/4	15x8	37	31	22	0.100	3 x 1	80x25	85	102	43	1.100
1/2 x 3/8	15x10	37	31	25	0.100	3 x 1 1/4	80x32	85	102	52	1.100
3/4 x 1/2	20x15	43	36	31	0.150	3 x 1 1/2	80x40	85	102	59	1.100
1 x 1/2	25x15	49	43	31	0.190	3 x 2	80x50	85	102	72	1.200
1 x 3/4	25x20	49	43	36	0.200	3 x 2 1/2	80x65	85	102	89	1.300
1 1/4 x 1/2	32x15	53	52	31	0.230	4 x 1/2	100x15	98	130	31	1.350
1 1/4 x 3/4	32x20	53	52	37	0.240	4 x 3/4	100x20	98	130	36	1.600
1 1/4 x 1	32x25	53	52	43	0.260	4 x 1	100x25	98	130	43	1.700
1 1/2 x 1/2	40x15	59	59	31	0.320	4 x 1 1/4	100x32	98	130	52	1.750
1 1/2 x 3/4	40x20	59	59	36	0.330	4 x 1 1/2	100x40	98	130	59	1.750
1 1/2 x 1	40x25	59	59	43	0.340	4 x 2	100x50	98	130	72	1.750
1 1/2 x 1 1/4	40x32	60	59	52	0.350	4 x 2 1/2	100x65	98	130	89	1.750
2 x 1/2	50x15	69	72	31	0.460	4 x 3	100x80	100	130	102	1.800
2 x 3/4	50x20	68	72	36	0.460	5 x 4	125x100	115	161	131	3.150
2 x 1	50x25	68	72	43	0.470	6 x 1/2	150x15	110	190	48	4.600
2 x 1 1/4	50x32	68	72	52	0.520	6 x 3/4	150x20	110	190	48	4.550
2 x 1 1/2	50x40	68	72	59	0.540	6 x 1	150x25	110	190	48	4.500
2 1/2 x 1/2	65x15	80	88	31	0.700	6 x 1 1/4	150x32	122	190	60	4.900
2 1/2 x 3/4	65x20	80	88	36	0.730	6 x 1 1/2	150x40	122	190	60	4.750
2 1/2 x 1	65x25	80	89	43	0.730	6 x 2	150x50	122	190	91	4.650
2 1/2 x 1 1/4	65x32	79	89	56	0.800	6 x 2 1/2	150x65	122	190	91	4.100
2 1/2 x 1 1/2	65x40	79	89	59	0.800	6 x 3	150x80	122	190	106	4.100
2 1/2 x 2	65x50	79	89	71	0.820	6 x 4	150x100	122	190	132	4.000
3 x 1/2	80x15	85	102	31	0.960	6 x 5	150x125	122	190	161	4.800

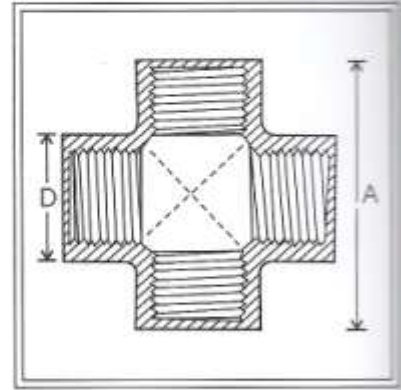


Fit & Forget

"Experience & Technology Support Our Products"

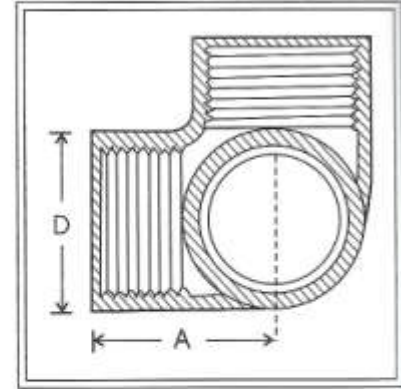


Cross Equal



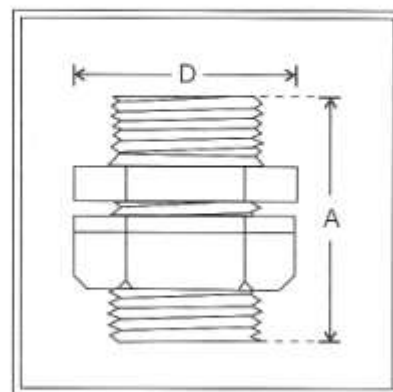
Size in inches	Size in mm	A in mm	D in mm	Weight in Kg.
1/2"	15	66	31.5	0.280
3/4"	20	73	37	0.380
1"	25	80	43	0.430
1 1/4"	32	94	54	0.750
1 1/2"	40	104	59	0.850
2"	50	120	72	1.250

Elbow Three Way



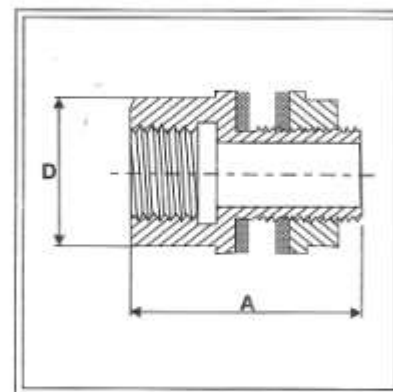
Size in inches	Size in mm	A in mm	D in mm	Weight in Kg.
1/2"	15	35	31.5	0.240
3/4"	20	39	37	0.300
1"	25	42	43	0.400
1 1/4"	32	49	54	0.600
1 1/2"	40	52	59	0.750
2"	50	59	72	1.160

Tank Nipple



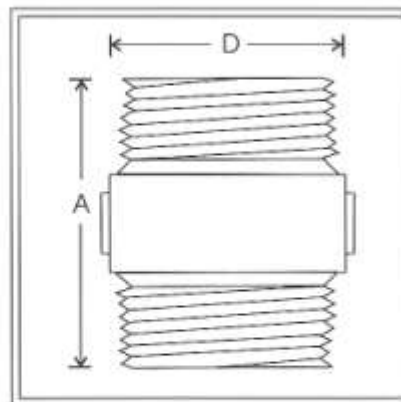
Size in inches	Size in mm	A in mm	D in mm	Weight in Kg.
1/2"	15	72	39	0.200
3/4"	20	77	44	0.275
1"	25	89	53	0.430
1 1/4"	32	103	63	0.650
1 1/2"	40	107	67	0.755
2"	50	114	82	1.180
2 1/2"	65	138	102	2.200
3"	80	155	117	3.000
4"	100	166	150	4.950
5"	125	--	--	--
6"	150	--	--	--

Tank Nipple Male/Female



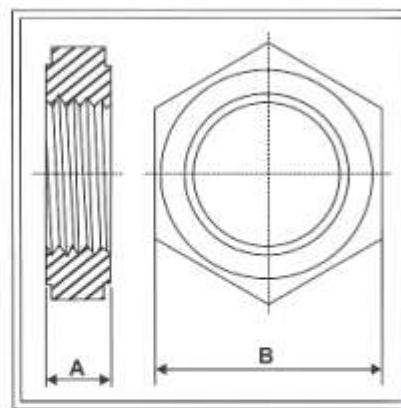
Size in inches	Size in mm	A in mm	D in mm	Weight in Kg.
1/2"	15	63	31	0.220
3/4"	20	68	37	0.300
1"	25	73	43	0.400

Nipple Equal



Size in inches	Size in mm	A in mm	D in mm	Weight in Kg.
1/2"	15	50	28	0.100
3/4"	20	56	32	0.150
1"	25	62	40	0.230
1 1/4"	32	68	51	0.380
1 1/2"	40	73	56	0.480
2"	50	82	67	0.610
2 1/2"	65	90	84	0.870
3"	80	96	98	1.370
4"	100	112	124	2.300
5"	125	133	143	4.150
6"	150	153	166	5.000

Check Nut



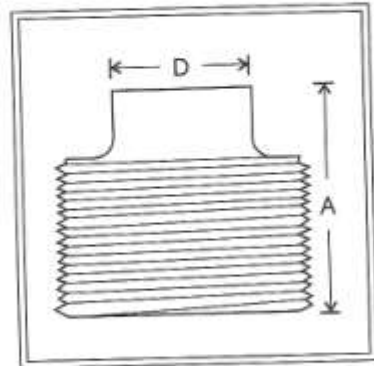
Size in inches	Size in mm	A in mm	B in mm	Weight in Kg.
1/2"	15	10.5	33	0.050
3/4"	20	11	38	0.050
1"	25	12	46.3	0.100
1 1/4"	32	13	56	0.125
1 1/2"	40	14	63	0.175
2"	50	16	75.2	0.250

Fit & Forget

Experience & Technology Support Our Products

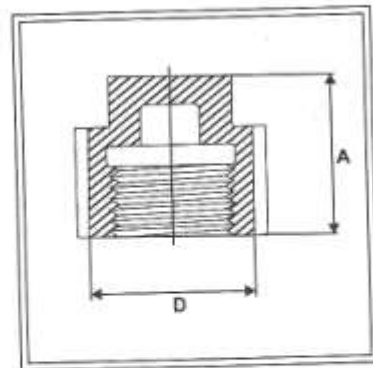


Plug



Size in inches	Size in mm	A in mm	D in mm	Weight in Kg.
1/2"	15	28	14	0.050
3/4"	20	31	16	0.070
1"	25	35	21	0.135
1 1/4"	32	38	25	0.200
1 1/2"	40	42	29	0.280
2"	50	47	35	0.430
2 1/2"	65	50	41	0.620
3"	80	58	46	0.900
4"	100	64	54	1.500
5"	125			
6"	150			

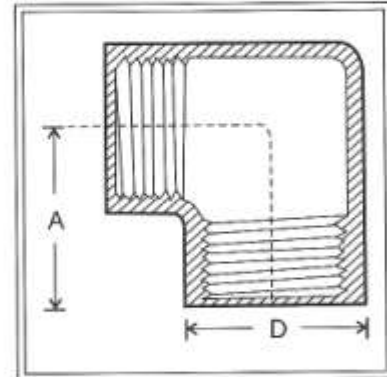
Cap Plug



Size in inches	Size in mm	A in mm	D in mm	Weight in Kg.
1/2"	15	38	31	0.100
3/4"	20	41	37	0.150
1"	25	43	43	0.200
1 1/4"	32	50	53	0.350
1 1/2"	40	55	59	0.400
2"	50	59	72	0.550
2 1/2"	65	62	88	0.800
3"	80	65	102	1.150
4"	100	72	129	1.850
5"	125	83	152	2.700
6"	150	85	178	3.250



Elbow Equal



Size in inches	Size in mm	A in mm	D in mm	Weight in Kg.
1/4"	8	25	22	0.100
3/8"	10	28	26	0.160
1/2"	15	35	33	0.250
3/4"	20	39	39	0.350
1"	25	45	45	0.450
1 1/4"	32	52	55	0.750
1 1/2"	40	58	61	0.950
2"	50	68	75	1.450
2 1/2"	65	80	92	2.300
3"	80	90	107	3.150
4"	100	107	133	6.150

Reducing Elbow E.O.D.

Size in inches	Size in mm	A in mm	D in mm	Weight in Kg.
3/4" x 1/2"	20x15	39	39	0.450
1" x 1/2"	25x15	45	45	0.500
1" x 3/4"	25x20	45	45	0.500
1 1/4" x 1.2"	32x15	52	55	0.845
1 1/4" x 3/4"	32x20	52	55	0.830
1 1/4" x 1"	32x25	52	55	0.800
1 1/2" x 1/2"	40x15	58	61	1.300
1 1/2" x 3/4"	40x20	58	61	1.200
1 1/2" x 1"	40x25	58	61	1.100
1 1/2" x 1 1/4"	40x32	58	61	1.100
2" x 1/2"	50x15	68	75	1.830
2" x 3/4"	50x20	68	75	1.900
2" x 1"	50x25	68	75	1.850
2" x 1 1/4"	50x32	68	75	1.700
2" x 1 1/2"	50x40	68	75	1.500



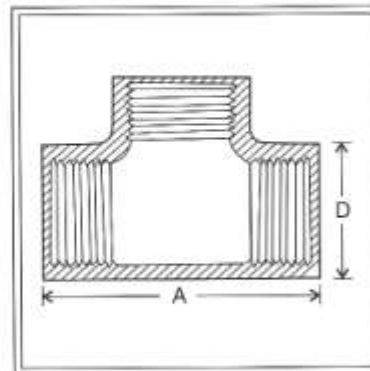
Fit & Forget

"Experience & Technology Support Our Products"

DRP-M

C.S.
Pipe
Fittings.....

Tee Equal

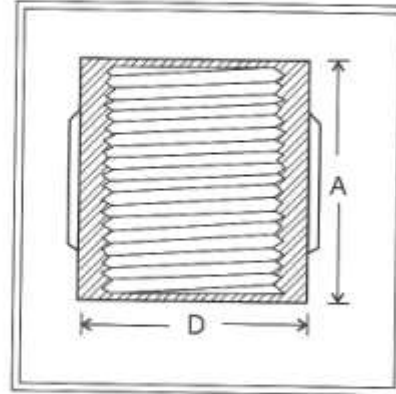


Size in inches	Size in mm	A in mm	D in mm	Weight in Kg.
1/4"	8	50	22	0.100
3/8"	10	56	26	0.150
1/2"	15	70	32	0.300
3/4"	20	79	39	0.450
1"	25	90	45	0.550
1 1/4"	32	105	55	0.850
1 1/2"	40	116	61	1.100
2"	50	136	75	1.650
2 1/2"	65	160	92	2.900
3"	80	180	107	3.900
4"	100	214	133	6.800

Reducing Tee E.O.D.

Size in inches	Size in mm	A in mm	D in mm	Weight in Kg.
3/4" x 1/2"	20x15	79	39	0.500
1" x 1/2"	25x15	90	45	0.650
1" x 3/4"	25x20	90	45	0.650
1 1/4" x 1.2"	32x15	105	55	1.050
1 1/4" x 3/4"	32x20	105	55	1.010
1 1/4" x 1"	32x25	105	55	0.950
1 1/2" x 1/2"	40x15	116	61	1.300
1 1/2" x 3/4"	40x20	116	61	1.250
1 1/2" x 1"	40x25	116	61	1.300
1 1/2" x 1 1/4"	40x32	116	61	1.250
2" x 1/2"	50x15	136	75	2.310
2" x 3/4"	50x20	136	75	2.230
2" x 1"	50x25	136	75	2.150
2" x 1 1/4"	50x32	136	75	2.100
2" x 1 1/2"	50x40	136	75	1.950

Socket Equal



Size in inches	Size in mm	A in mm	D in mm	Weight in Kg.
1/4"	8	30	22	0.050
3/8"	10	33	26	0.050
1/2"	15	39	31	0.100
3/4"	20	43	36	0.150
1"	25	47	43	0.200
1 1/4"	32	54	53	0.350
1 1/2"	40	59	61	0.350
2"	50	68	74	0.550
2 1/2"	65	79	91	0.900
3"	80	86	107	1.300
4"	100	101	132	1.750
5"	125	120	162	3.190
6"	150	133	192	4.520

Reducing Socket E.O.D.

Size in inches	Size in mm	A in mm	D in mm	Weight in Kg.
3/4" x 1/2"	20x15	43	36	0.200
1" x 1/2"	25x15	47	43	0.250
1" x 3/4"	25x20	47	43	0.250
1 1/4" x 1.2"	32x15	54	53	0.480
1 1/4" x 3/4"	32x20	54	53	0.450
1 1/4" x 1"	32x25	54	53	0.400
1 1/2" x 1/2"	40x15	59	61	0.600
1 1/2" x 3/4"	40x20	59	61	0.550
1 1/2" x 1"	40x25	59	61	0.500
1 1/2" x 1 1/4"	40x32	59	61	0.450
2" x 1/2"	50x15	68	74	0.920
2" x 3/4"	50x20	68	74	0.910
2" x 1"	50x25	68	74	0.900
2" x 1 1/4"	50x32	68	74	0.850
2" x 1 1/2"	50x40	68	74	0.800

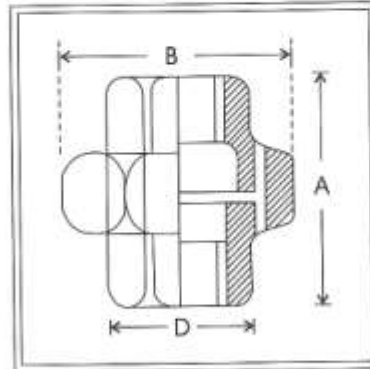
 Fit & Forget

"Experience & Technology Support Our Products"

DRP-M[®]

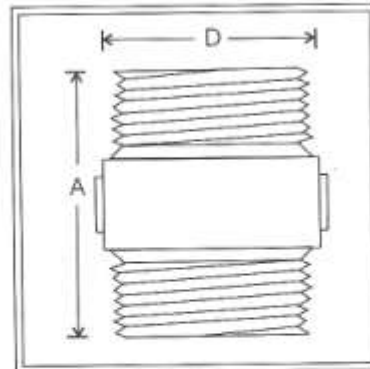
C.S.
Pipe
Fittings.....

Union Brass to Iron Seat



Size in inches	Size in mm	A in mm	B in mm	D in mm	Weight in Kg.
1/4"	8	48	39	22	0.200
3/8"	10	51	43	24	0.250
1/2"	15	57	47	29	0.300
3/4"	20	65	56	35	0.500
1"	25	70	65	41	0.700
1 1/4"	32	75	77	53	0.950
1 1/2"	40	85	83	58	1.150
2"	50	105	99	72	1.850
2 1/2"	65	98	116	84	2.350
3"	80	108	133	110	3.450
4"	100	124	169	127	5.400

Nipple Equal



Size in inches	Size in mm	A in mm	D in mm	Weight in Kg.
1/2"	15	50	28	.100
3/4"	20	56	32	.150
1"	25	62	40	.230
1 1/4"	32	68	51	.380
1 1/2"	40	73	56	.480
2"	50	82	67	.610
2 1/2"	65	90	84	.870
3"	80	96	98	1.370
4"	100	112	124	2.300
5"	125	133	143	4.150
6"	150	143	166	5.000

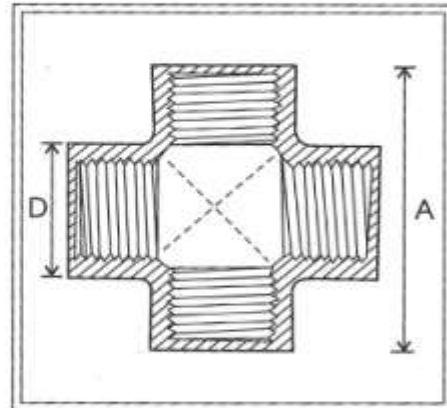


Fit & Forget

"Experience & Technology Support Our Products"

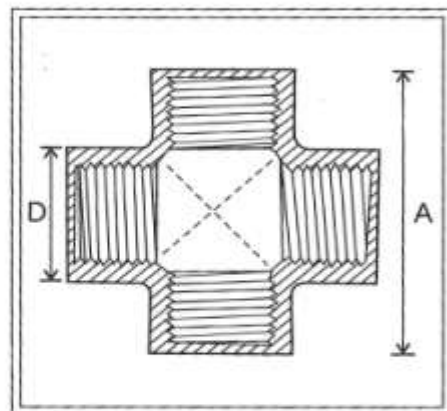


Cross Equal



Size in inches	Size in mm	A in mm	D in mm	Weight in Kg.
1"	25	90	46	0.650
1¼"	32	106	56	1.00
1½"	40	114	62	1.250
2"	50	136	76	2.200
2½"	65	--	--	--
3"	80	--	--	--
4"	100	--	--	--

Reducing Cross E.O.D.



Size in inches	Size in mm	A in mm	D in mm	Weight in Kg.
1¼" x 1"	32x25	106	56	1.250
1½" x 1"	40x25	114	62	1.650
1½" x 1¼"	40x32	114	62	1.600
2" x 1"	50x25	136	76	2.550
2" x 1¼"	50x32	136	76	2.600

Other Products

M.I.G.I./C.S.



Concealed Elbow



Elbow Male Female



Socket Male Female



Reducing Nipple



Pass Over



Bend-Tee



Flange



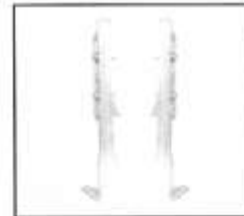
Concealed Bolt Set



Wash Basin Brackets (T-Type)



Wash Basin Brackets (L-Type)



Oval Brackets Adjustable



Cantilever Brackets



Corner Brackets Chapla



Large Urinal Bracket Set



Cascade Chair Bracket



Chair Bracket



Cascade Bracket (L-Type)



Tee-Union



Elbow-Union



Reducing Bush